

## 6.2 T856 Transmitter PCB

This section contains the following information.

IPN	Section	Page
<b>220-01171-01</b>	Parts List	6.2.3
	Mechanical & Miscellaneous Parts	6.2.7
	Grid Reference Index	6.2.9
	PCB Layout - Top Side	6.2.13
	PCB Layout - Bottom Side	6.2.14
	Test Points & Options - Top Side	6.2.15
	Synthesiser Circuit Diagram	6.2.17
	Audio Processor Circuit Diagram	6.2.18
	Regulator Circuit Diagram	6.2.19
	Exciter/PA Circuit Diagram	6.2.20
<b>220-01171-03</b>	Parts List	6.2.21
<b>220-01171-04</b>	Parts List	6.2.23
	Mechanical & Miscellaneous Parts	6.2.27
	Grid Reference Index	6.2.29
	PCB Layout - Top Side	6.2.33
	PCB Layout - Bottom Side	6.2.34
	Test Points & Options - Top Side	6.2.35
	Synthesiser Circuit Diagram	6.2.37
	Audio Processor Circuit Diagram	6.2.38
	Regulator Circuit Diagram	6.2.39
	Exciter/PA Circuit Diagram	6.2.40



## T856 Parts List (IPN 220-01171-01)

### How To Use This Parts List

The components listed in this parts list are divided into two main types: those with a circuit reference (e.g. C2, D1, R121, etc) and those without (miscellaneous and mechanical).

Those with a circuit reference are grouped in alphabetical order and then in numerical order within each group. Each component entry comprises three or four columns: the circuit reference, variant (if applicable), IPN and description. A number in the variant column indicates that this is a variant component which is fitted only to the product type listed.

The miscellaneous and mechanical section lists the variant and common parts in IPN order.

### Parts List Amendments

There were no amendments to the parts list at the time of publication.

Ref	Var	IPN	Description	Ref	Var	IPN	Description
C1		015-06100-08	CAP CER 1206 CHIP 100N 10% X7R 50V	&C135	UWB	015-23220-01	CAP CER 0805 CHIP 220P 5% NPO 50V
C2		015-23120-01	CAP CER 0805 CHIP 120P 5% NPO 50V	C137		020-08220-05	CAP ELECT RADL 22M 16V 5X11MM 5MM L/S
C3		015-06100-08	CAP CER 1206 CHIP 100N 10% X7R 50V	C139		015-06100-08	CAP CER 1206 CHIP 100N 10% X7R 50V
C4		015-21820-01	CAP CER 0805 CHIP 8P2 +/-0.25P NPO 50V	&C141	NB	015-05470-08	CAP CER 1206 CHIP 47N 10% X7R 50V
C5		015-23120-01	CAP CER 0805 CHIP 120P 5% NPO 50V	&C141	WB	015-05470-08	CAP CER 1206 CHIP 47N 10% X7R 50V
C6		015-24100-08	CAP CER 0805 CHIP 1N 10% X7R 50V	&C141	UWB		NOT FITTED
C9		015-23120-01	CAP CER 0805 CHIP 120P 5% NPO 50V	C145		015-06100-08	CAP CER 1206 CHIP 100N 10% X7R 50V
C10		015-23120-01	CAP CER 0805 CHIP 120P 5% NPO 50V	C146		015-24100-08	CAP CER 0805 CHIP 1N 10% X7R 50V
C11		015-23120-01	CAP CER 0805 CHIP 120P 5% NPO 50V	C147		020-57100-02	CAP ELECT AI RDL 1M 50V 5X11MM
C12		015-23120-01	CAP CER 0805 CHIP 120P 5% NPO 50V	C148		015-05220-08	CAP CER 1206 CHIP 22N 10% X7R 50V
C13		015-06100-08	CAP CER 1206 CHIP 100N 10% X7R 50V	C149		015-06100-08	CAP CER 1206 CHIP 100N 10% X7R 50V
C14		020-58100-03	CAP ELECT AI RDL 10M 50V 5X11MM	C150		020-58100-03	CAP ELECT AI RDL 10M 50V 5X11MM
C15		020-58100-03	CAP ELECT AI RDL 10M 50V 5X11MM	&C151	NB	015-21470-01	CAP CER 0805 CHIP 4P7 +/-0.25P NPO 50V
C16		015-06100-08	CAP CER 1206 CHIP 100N 10% X7R 50V	&C151	WB	015-21470-01	CAP CER 0805 CHIP 4P7 +/-0.25P NPO 50V
C17		015-22560-01	CAP CER 0805 CHIP 56P 5% NPO 50V	&C151	UWB		NOT FITTED
C19		015-23680-08	CAP CER 0805 CHIP 680P 10% X7R 50V	C152		020-59100-06	CAP ELECT AI RDL 100M 16V 6.3X11MM
C20		015-23470-08	CAP CER 0805 CHIP 470P 10% X7R 50V	C153		015-24100-08	CAP CER 0805 CHIP 1N 10% X7R 50V
C25		020-58100-03	CAP ELECT AI RDL 10M 50V 5X11MM	C154		020-59100-06	CAP ELECT AI RDL 100M 16V 6.3X11MM
C26		015-25100-08	CAP CER 0805 CHIP 10N 10% X7R 50V	C156		020-07470-92	CAP BI-POLAR RADL 4M7 50V 6X11MM 5MM L/S
C29		022-06330-03	CAP METAL POLYES 330N 10% 50V 5MM L/S	&C157	NB	015-21470-01	CAP CER 0805 CHIP 4P7 +/-0.25P NPO 50V
C30		020-58100-03	CAP ELECT AI RDL 10M 50V 5X11MM	&C157	WB	015-21150-01	CAP CER 0805 CHIP 1P5 +/-0.25P NPO 50V
C33		015-05470-08	CAP CER 1206 CHIP 47N 10% X7R 50V	&C157	UWB		NOT FITTED
C34		020-58100-03	CAP ELECT AI RDL 10M 50V 5X11MM	C158		015-05470-08	CAP CER 1206 CHIP 47N 10% X7R 50V
C35		020-58100-03	CAP ELECT AI RDL 10M 50V 5X11MM	&C160	NB	015-05470-08	CAP CER 1206 CHIP 47N 10% X7R 50V
C36		015-06100-08	CAP CER 1206 CHIP 100N 10% X7R 50V	&C160	WB	015-05470-08	CAP CER 1206 CHIP 47N 10% X7R 50V
C39		015-06100-08	CAP CER 1206 CHIP 100N 10% X7R 50V	&C160	UWB		NOT FITTED
C40		015-21820-01	CAP CER 0805 CHIP 8P2 +/-0.25P NPO 50V	&C161	NB	015-24100-08	CAP CER 0805 CHIP 1N 10% X7R 50V
C42		015-25150-08	CAP CER 0805 CHIP 15N 10% X7R 50V	&C161	WB	015-24100-08	CAP CER 0805 CHIP 1N 10% X7R 50V
C43		015-25100-08	CAP CER 0805 CHIP 10N 10% X7R 50V	&C161	UWB	015-23220-01	CAP CER 0805 CHIP 220P 5% NPO 50V
C44		015-23220-01	CAP CER 0805 CHIP 220P 5% NPO 50V	C162		020-07470-92	CAP BI-POLAR RADL 4M7 50V 6X11MM 5MM L/S
C45		015-24470-08	CAP CER 0805 CHIP 4N7 10% X7R 50V	C163		020-07470-92	CAP BI-POLAR RADL 4M7 50V 6X11MM 5MM L/S
C46		015-06100-08	CAP CER 1206 CHIP 100N 10% X7R 50V	C164		015-23120-01	CAP CER 0805 CHIP 120P 5% NPO 50V
C101		020-58100-03	CAP ELECT AI RDL 10M 50V 5X11MM	C166		015-05470-08	CAP CER 1206 CHIP 47N 10% X7R 50V
C102		020-07470-92	CAP BI-POLAR RADL 4M7 50V 6X11MM 5MM L/S	&C167	NB		NOT FITTED
C103		020-07470-92	CAP BI-POLAR RADL 4M7 50V 6X11MM 5MM L/S	&C167	WB		NOT FITTED
C104		015-24100-08	CAP CER 0805 CHIP 1N 10% X7R 50V	&C167	UWB	015-06100-08	CAP CER 1206 CHIP 100N 10% X7R 50V
C105		015-24100-08	CAP CER 0805 CHIP 1N 10% X7R 50V	C168		015-25100-08	CAP CER 0805 CHIP 10N 10% X7R 50V
C106		015-24220-08	CAP CER 0805 CHIP 2N2 10% X7R 50V	&C169	NB		NOT FITTED
C107		020-08220-05	CAP ELECT RADL 22M 16V 5X11MM 5MM L/S	&C169	WB		NOT FITTED
C108		015-24100-08	CAP CER 0805 CHIP 1N 10% X7R 50V	&C169	UWB	015-05220-08	CAP CER 1206 CHIP 22N 10% X7R 50V
C109		015-24100-08	CAP CER 0805 CHIP 1N 10% X7R 50V	&C170	NB		NOT FITTED
C110		015-24100-08	CAP CER 0805 CHIP 1N 10% X7R 50V	&C170	WB		NOT FITTED
C111		015-22470-01	CAP CER 0805 CHIP 47P 5% NPO 50V	&C170	UWB	015-05470-08	CAP CER 1206 CHIP 47N 10% X7R 50V
C112		020-08220-05	CAP ELECT RADL 22M 16V 5X11MM 5MM L/S	C171		015-23470-08	CAP CER 0805 CHIP 470P 10% X7R 50V
C113		015-25100-08	CAP CER 0805 CHIP 10N 10% X7R 50V	C209		020-58100-03	CAP ELECT AI RDL 10M 50V 5X11MM
C115		015-06100-08	CAP CER 1206 CHIP 100N 10% X7R 50V	C212		015-06100-08	CAP CER 1206 CHIP 100N 10% X7R 50V
C118		015-06100-08	CAP CER 1206 CHIP 100N 10% X7R 50V	C213		025-08100-02	CAP TANT BEAD 10M 10% 16V
C119		020-07470-92	CAP BI-POLAR RADL 4M7 50V 6X11MM 5MM L/S	C214		015-06100-08	CAP CER 1206 CHIP 100N 10% X7R 50V
C121		015-06100-08	CAP CER 1206 CHIP 100N 10% X7R 50V	C215		025-08100-02	CAP TANT BEAD 10M 10% 16V
C123		015-23150-01	CAP CER 0805 CHIP 150P 5% NPO 50V	C216		015-06100-08	CAP CER 1206 CHIP 100N 10% X7R 50V
&C124	NB	015-21470-01	CAP CER 0805 CHIP 4P7 +/-0.25P NPO 50V	C217		015-24100-08	CAP CER 0805 CHIP 1N 10% X7R 50V
&C124	WB	015-21470-01	CAP CER 0805 CHIP 4P7 +/-0.25P NPO 50V	C218		015-24100-08	CAP CER 0805 CHIP 1N 10% X7R 50V
&C124	UWB		NOT FITTED	C219		020-09470-07	CAP 470M 16V 20% ELEC VERT 8*20 3.5MM L/S
C126		015-06100-08	CAP CER 1206 CHIP 100N 10% X7R 50V	C220		015-24470-08	CAP CER 0805 CHIP 4N7 10% X7R 50V
C128		015-23150-01	CAP CER 0805 CHIP 150P 5% NPO 50V	C221		015-24100-08	CAP CER 0805 CHIP 1N 10% X7R 50V
C129		020-58470-02	CAP ELECT AI RDL 47M 16V 6X11MM	C222		020-59100-06	CAP ELECT AI RDL 100M 16V 6.3X11MM
&C133	NB	015-24470-08	CAP CER 0805 CHIP 4N7 10% X7R 50V	C223		020-07220-02	CAP ELECT RADL 2M2 50V 5X11MM 5MM L/S
&C133	WB	015-24470-08	CAP CER 0805 CHIP 4N7 10% X7R 50V	C224		025-07330-01	CAP TANT BEAD 3M3 35V
&C133	UWB		NOT FITTED	C225		015-24470-08	CAP CER 0805 CHIP 4N7 10% X7R 50V
&C135	NB	015-22470-01	CAP CER 0805 CHIP 47P 5% NPO 50V	C226		020-57100-02	CAP ELECT AI RDL 1M 50V 5X11MM
&C135	WB	015-22470-01	CAP CER 0805 CHIP 47P 5% NPO 50V	C227		020-58100-03	CAP ELECT AI RDL 10M 50V 5X11MM





Ref	Var	IPN	Description	Ref	Var	IPN	Description
R238		036-16100-00	RES M/F 0805 CHIP 100K 5%	NOTE:	LOW		= 400-440MHZ
R239		036-16100-00	RES M/F 0805 CHIP 100K 5%		MID		= 440-480MHZ
R240		036-15470-00	RES M/F 0805 CHIP 47K 5%		HI		= 480-520MHZ
R241		036-16470-00	RES M/F 0805 CHIP 470K 5%				
R242		036-14100-00	RES M/F 0805 CHIP 1K 5%		NB		= 2.5KHZ DEVIATION
R243		036-16100-00	RES M/F 0805 CHIP 100K 5%		WB		= 5KHZ DEVIATION
R244		036-16100-00	RES M/F 0805 CHIP 100K 5%		UWB		= 10KHZ DEVIATION
R245		036-14150-00	RES M/F 0805 CHIP 1K5 5%				
R246		036-15470-00	RES M/F 0805 CHIP 47K 5%		1PPM		= 1PPM TCXO
R247		036-16330-00	RES M/F 0805 CHIP 330K 5%		2PPM		= 2PPM TCXO
R248		036-16120-00	RES M/F 0805 CHIP 120K 5%		2.5PPM		= 2.5PPM TCXO
R249		036-16330-00	RES M/F 0805 CHIP 330K 5%				
R250		036-14100-00	RES M/F 0805 CHIP 1K 5%				
R251		036-13560-00	RES M/F 0805 CHIP 560E 5%				
R252		036-16100-00	RES M/F 0805 CHIP 100K 5%				
R253		036-15150-00	RES M/F 0805 CHIP 15K 5%				
R254		036-15560-00	RES M/F 0805 CHIP 56K 5%				
R255		036-15100-00	RES M/F 0805 CHIP 10K 5%				
R256		036-15100-00	RES M/F 0805 CHIP 10K 5%				
R257		036-10000-00	RES M/F 0805 CHIP ZERO OHM				
R258		036-15100-00	RES M/F 0805 CHIP 10K 5%				
R259		036-14150-00	RES M/F 0805 CHIP 1K5 5%				
R260		036-13470-00	RES M/F 0805 CHIP 470E 5%				
*R300	LOW	036-13150-00	RES M/F 0805*CHIP 150E 5%				
*R300	MID	036-13330-00	RES M/F 0805*CHIP 330E 5%				
*R300	HI	036-13330-00	RES M/F 0805*CHIP 330E 5%				
R301		036-12180-00	RES M/F 0805 CHIP 18E 5%				
*R301	LOW	036-12330-00	RES M/F 0805*CHIP 33E 5%				
*R301	MID	036-12180-00	RES M/F 0805*CHIP 18E 5%				
*R301	HI	036-12180-00	RES M/F 0805*CHIP 18E 5%				
*R302	LOW	036-13150-00	RES M/F 0805*CHIP 150E 5%				
*R302	MID	036-13330-00	RES M/F 0805*CHIP 330E 5%				
*R302	HI	036-13330-00	RES M/F 0805*CHIP 330E 5%				
R303		036-12470-00	RES M/F 0805 CHIP 47E 5%				
R305		036-13470-00	RES M/F 0805 CHIP 470E 5%				
R306		036-12470-00	RES M/F 0805 CHIP 47E 5%				
R307		030-03470-10	RES FILM 470E 5% 0.5W 7X2.5MM				
R313		036-14100-00	RES M/F 0805 CHIP 1K 5%				
*R314	LOW	030-53270-20	RES FILM AI 270E 5% 0.4W 4X1.6MM				
*R314	MID	030-53470-20	RES FILM AI 470E 5% 0.4W 4X1.6MM				
*R314	HI	030-53470-20	RES FILM AI 470E 5% 0.4W 4X1.6MM				
*R315	LOW	030-52180-20	RES FILM AI 18E 5% 0.4W 4X1.6MM				
*R315	MID	030-02120-20	RES FILM 12E 5% 0.4W 4X1.6MM				
*R315	HI	030-02120-20	RES FILM 12E 5% 0.4W 4X1.6MM				
*R316	LOW	030-53270-20	RES FILM AI 270E 5% 0.4W 4X1.6MM				
*R316	MID	030-53470-20	RES FILM AI 470E 5% 0.4W 4X1.6MM				
*R316	HI	030-53470-20	RES FILM AI 470E 5% 0.4W 4X1.6MM				
R317		036-12100-00	RES M/F 0805 CHIP 10E 5%				
R350		036-15100-00	RES M/F 0805 CHIP 10K 5%				
RV351		042-04220-06	RES PRESET 2K2 CARBON 6MM FLAT				
R352		036-14100-00	RES M/F 0805 CHIP 1K 5%				
R353		036-14470-00	RES M/F 0805 CHIP 4K7 5%				
R354		036-16220-00	RES M/F 0805 CHIP 220K 5%				
R355		036-15100-00	RES M/F 0805 CHIP 10K 5%				
RV355		042-05100-06	RES PRESET 10K CARBON 6MM FLAT				
RV356		042-05100-06	RES PRESET 10K CARBON 6MM FLAT				
R357		036-14470-00	RES M/F 0805 CHIP 4K7 5%				
R358		036-14220-00	RES M/F 0805 CHIP 2K2 5%				
R359		036-14100-00	RES M/F 0805 CHIP 1K 5%				
R360		036-13100-00	RES M/F 0805 CHIP 100E 5%				
R361		036-15150-00	RES M/F 0805 CHIP 15K 5%				
R362		036-14470-00	RES M/F 0805 CHIP 4K7 5%				
R364		036-12100-00	RES M/F 0805 CHIP 10E 5%				
R366		036-14220-00	RES M/F 0805 CHIP 2K2 5%				
*R401	LOW	030-53470-20	RES FILM AI 470E 5% 0.4W 4X1.6MM				
*R401	MID	030-53820-20	RES FILM AI 820E 5% 0.4W 4X1.6MM				
*R401	HI	030-53820-20	RES FILM AI 820E 5% 0.4W 4X1.6MM				
*R402	LOW	030-52220-20	RES FILM AI 22E 5% 0.4W 4X1.6MM				
*R402	MID	030-52100-20	RES FILM AI 10E 5% 0.4W 4X1.6MM				
*R402	HI	030-52100-20	RES FILM AI 10E 5% 0.4W 4X1.6MM				
*R403	LOW	030-52220-20	RES FILM AI 22E 5% 0.4W 4X1.6MM				
*R403	MID	030-52100-20	RES FILM AI 10E 5% 0.4W 4X1.6MM				
*R403	HI	030-52100-20	RES FILM AI 10E 5% 0.4W 4X1.6MM				
*R404	LOW	030-53470-20	RES FILM AI 470E 5% 0.4W 4X1.6MM				
*R404	MID	030-53820-20	RES FILM AI 820E 5% 0.4W 4X1.6MM				
*R404	HI	030-53820-20	RES FILM AI 820E 5% 0.4W 4X1.6MM				
R405		032-32220-00	RES M/F PWR 22E 5% 1W 12X4.5MM				
R406		036-13100-00	RES M/F 0805 CHIP 100E 5%				
R407		036-13100-00	RES M/F 0805 CHIP 100E 5%				
R408		036-15470-00	RES M/F 0805 CHIP 47K 5%				
R409		036-15470-00	RES M/F 0805 CHIP 47K 5%				
R415		045-04470-01	RES NTC 4K7 20% 5MM DISC				
R416		036-12560-00	RES M/F 0805 CHIP 56E 5%				
R417		036-17100-00	RES M/F 0805 CHIP 1M 5%				
R418		036-15470-00	RES M/F 0805 CHIP 47K 5%				
R419		036-14470-00	RES M/F 0805 CHIP 4K7 5%				
R420		036-14470-00	RES M/F 0805 CHIP 4K7 5%				
R421		036-14470-00	RES M/F 0805 CHIP 4K7 5%				
SK1		240-04020-57	SKT 10 WAY 1ROW PCB MTG TOP ENTRY				
SK100		240-02020-05	SKT STEREO PHONE JACK PCB MTG				
SK300		240-02100-44	SKT COAX MINI JACK PCB MTG ANGLED				
SK401		240-02100-44	SKT COAX MINI JACK PCB MTG ANGLED				
SW1		232-00010-26	SWITCH PUSH SPDT RT ANGLE PCB MTG NO BT				
T100		053-00010-17	XFMR T4030 LINE MATCH POTCORE				
T200		050-00016-31	COIL TAIT NO 631 455KHZ IF 7MM CAN				

## T856 Mechanical & Miscellaneous Parts (220-01171-01)

IPN	Description	IPN	Description
012-04150-01	CAP CER F/THRU 1N5 NO LEAD C1-C15 On 15 Way D Range Plug.	319-01152-00	SHIELD A3M2250 F/THRU MTG T857 Attached To D Range Plug x1.
051-00006-02	SOLDER SPRING 1.3MM A4M1877 LED1 x2, LED2 x2.	345-00040-06	SCREW M3*8MM PAN POZI ST BZ For Final Installation Kit x2.
065-00010-13	BEAD FERRITE 7D 1.9*0.9*3.8MM STACK POLE 15 Way D Range Plug x15.	345-00040-08	SCREW M3*12MM PAN POZI ST BZ D Range Blanking Cover Mtg x2.
201-00030-02	WIRE #1 T/C WIRE 7/0.2MM PVC RED 2x70mm for LEDs	345-00040-09	SCREW M3*6MM CSK POZI TRUNCATED HEAD ST BZ For Final Installation Kit x2.
201-00030-10	WIRE #1 T/C WIRE 7/0.2MM PVC BLACK 2X70mm For LEDs	345-00040-10	SCREW M3*6MM PAN POZI ST BZ Guide Skt to Float Plate x4, Rail x4, Final Installation Kit x2
206-00010-11	CABLE COAX 50 OHM RG316-U PTFE 120MM EXCITER/PA	345-00040-20	SCREW M3*8MM BUTTON SKT HD BLACK ZINC PHOS Front Panel Mtg x4.
220-01171-01	PCB T856 TX	345-00040-26	SCREW M3X8MM SKT HEAD CAP BLACK ZINC PHOS
232-00020-26	BUTTON PUSH FOR 232-00010-26 SWITCH For SW101.	349-00020-32	SCREW TAPTITE M3X8MM PAN POZI BZ Pcb Mounting x8.
240-00010-55	PLUG 15 WAY D RANGE WIRE WRAP PINS PNL MTG D Range Mounted On Rear Panel x1.	349-00020-34	SCREW TAPTITE M3X12MM PAN POZI BZ N Connector x2.
240-00025-36	PLUG 32WAY 1ROW PC MTG HARWIN PL2,PL3,PL4,PL5	349-00020-43	SCREW TAPTITE M4X12MM PAN POZI BZ Top Cover Mtg x14, Copper H/sink Mtg x1.
240-00100-43	PLUG COAX MINI PIN PLUG CRIMP 1.5D COAX Exciter/PA Connectors x2.	349-00020-45	SCREW TAPTITE M4X20MM PAN POZI BZ Bottom Cover Mtg x14.
240-02010-54	SKT 15WAY DRANGE PNL MTG 105 DEG C Guide Rail Assembly Component, Part of Installation Kit x1	350-00016-42	SPACER 5MM HI 8MM X M3 STUD 2.5MM X M3 HOLE
240-02100-06	SKT COAX N TYPE PNL MTG OPEN TERMN N Connector Mounted On Rear Panel x1.	352-00010-08	NUT M3 COLD FORM HEX ST BZ D Range x2, D Range Cover x2, Vco Mtg x2.
240-04020-62	SKT 2 WAY RECEP TL SHORTING LINK For PLS100, 101, 102, 103 & 201 x1 Each.	352-00010-29	NUT M4 NYLOC HEX Handle x2.
240-04020-65	SKT JACK PIN 1.3MM PCB MTG 64 WAY SIL STRAP For SJ2-1, SJ3-1, SJ4-1 TO SJ4-5, SJ5-1 TO SJ5-5	352-00010-35	NUT 8-32 UNC HEX RF PWR XSTR MTG Q401 Mtg x1.
252-00010-12	MIC 600 OHM WITH HANGER CONN FOSTER	353-00010-10	WASHER M3 FLAT 7MM*0.6MM ST BZ Float Plate x4.
303-11169-00	CHASSIS HSINK T856 COMPL A3M2411	353-00010-12	WASHER M3 SPRING BZ D Range x2, D Range Cover x2.
303-23118-00	COVER A3M2247 D RANGE HOLE T856/7 Blanking Plate On Rear For Extra D Range Connector x1.	353-00010-13	WASHER M3 SHAKEPROOF INT BZ Vco Mtg x2.
303-50074-00	CLIP A3M2246 SPRING XSTR CLAMP T857 Q210 x1, Q352 x1.	353-00010-24	WASHER M4 FLAT ST BZ A4M1957 H/sink Mtg x1.
303-50078-00	CLIP A4M2630 0.1MM SPR WIRE CABLE CLAMP T800 For Securing 140mm Coax Cable x1	360-00010-40	BUSH SNAP BLACK HEYCO SB-375-4
306-01010-00	FERRULE A4M948 HANDLE FXD EQUIP For Handle x2.	362-00010-23	GASKET SIL INSULATING TO-220 CLIP MTD Q201 x1, Q352 x1.
308-01007-00	HANDLE A4M949 FXD EQUIP	362-00010-33	GROMMET LED MTG 3MM LO CURRENT LEDS
308-13090-00	HSINK A4M2361 BRKT COPPER T856	365-00011-53	LABEL WHITE RW2365/1 SPECIAL ADHESIVE
312-01052-00	LID TOP PNTD COMPL A1M2364 800 SERIES	365-00100-03	LABEL BLANK 10.8X30MM S/A METLSD POLYES
312-01053-00	LID BOTTOM PNTD COMPL A1M2364 800 SERIES	365-00100-20	LABEL WHITE S/A 28X11MM QUIKSTIK RW718/4
316-06386-00	PNL FRT COMPL A3M2335/2 T856	365-01391-01	LABEL 30*10.8MM TAMPERMARK VOID MATT FCC Rules x1, FCC ID x1, Aust DOTC Cert x1, Ser No x1, Canadian DOC x1.
316-85015-01	PIN A4M775 LOCATING D RANGE For Securing D Range x2.	365-01500-00	LABEL 24*12MM CE CONFORMITY
316-85099-00	PLATE FLOAT A2M2248 DUAL D RANGE SKT BOX Guide Rail Assembly Component, Part of Installation Kit x1	399-00010-51	BAG PLASTIC 75*100MM
316-85100-00	PLATE FRT A2M2249 DUAL D RANGE SKT BOX Guide Rail Assembly Component, Part of Installation Kit x1	400-00020-07	SLEEVING 2MM SIL RUBBER
318-01014-00	RAIL A2M2214 FOR 800 SERIES FXD EQUIP Guide Rail Assembly Component, Part of Installation Kit x2	410-01081-00	CRTN T800 MODULE KIWI REF22860 PRTD
		410-01082-00	CRTN 10 T800 KIWI REF24417 423X410X360





## T856 Grid Reference Index (IPN 220-01171-01)

### How To Use This Grid Reference Index

The first digit in the PCB layout reference is a "1" or "2", indicating the top or bottom side layout respectively, and the last two characters give the location of the component on that diagram.

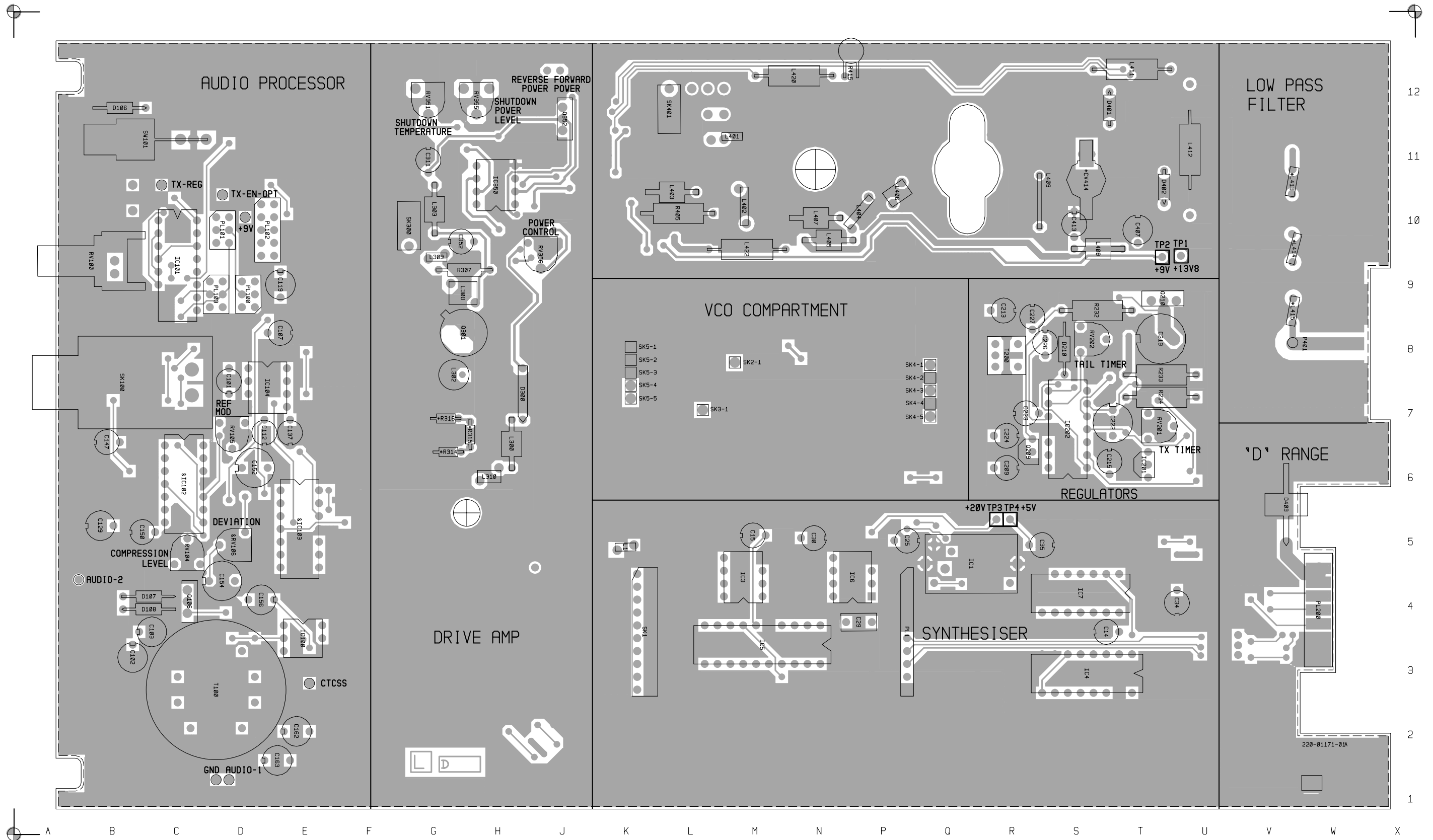
The first part of the circuit diagram reference is the abbreviated sheet name, and the last two characters give the location of the component on that sheet.

Device	PCB	Circuit	Device	PCB	Circuit	Device	PCB	Circuit	Device	PCB	Circuit
C1	2:R5	1-A8	C145	2:C9	2-D5	C320	2:G7	4-N4			2-D3
C2	2:K5	1-B4	C146	2:B6	2-F6	C321	2:H8	4-P4	D104	2:B5	2-M5
C3	2:L5	1-B5	C147	1:B7	2-G4	*C322	2:G9	4-R4			2-L5
C4	2:K5	1-B4	C148	2:C7	2-H2	C330	2:S7	3-C2	D106	1:C12	2-R8
C5	2:L5	1-B5	C149	2:C6	2-H5	C335	2:H5	4-K5	D107	1:C4	2-B4
C6	2:Q4	1-B7	C150	1:C5	2-J6	C350	2:H11	4-C5	D108	1:B4	2-C4
C9	2:L5	1-C4	&C151	2:E6	2-L2	C351	2:G11	4-C5	D204	2:R7	3-L7
C10	2:L5	1-D5	C152	1:D6	2-L2	C352	1:G10	4-C7			3-L6
C11	2:M4	1-E5	C153	2:C4	2-L6	C354	2:H12	4-E6	D205	2:V5	3-C6
C12	2:M5	1-E4	C154	1:D4	2-M1	C355	2:H11	4-F7			3-C6
C13	2:S4	1-E8	C156	1:D4	2-N6	C356	2:H10	4-F7	D206	2:U9	3-D4
C14	1:T4	1-F8	&C157	2:E4	2-Q4	C357	2:H10	4-G8			3-D5
C15	1:M5	1-G4	C158	2:E6	2-P1	C358	2:J11	4-H8	D207	2:S7	3-H3
C16	2:M4	1-G4	&C160	2:C7	2-Q3	C359	2:H11	4-H7			3-J2
C17	2:M3	1-G2	&C161	2:D5	2-F1	C360	2:J11	4-J8	D208	2:S8	3-L3
C19	2:P3	1-G2	C162	1:E2	2-A3	C361	2:J12	4-J8			3-L3
C20	2:N3	1-H3	C163	1:E2	2-A3	C362	2:J10	4-H9	D209	2:S9	3-P2
C25	1:P5	1-K5	C164	2:E4	2-D0	C363	2:H12	4-G5			3-P2
C26	2:N5	1-K2	C166	2:E6	2-P2	C401	2:M11	4-C1	D210	1:S8	3-L1
C29	1:N4	1-L5	&C167	2:B9	2-D5	*C402	2:M11	4-D1	D211	2:S8	3-M1
C30	1:N5	1-L4	C168	2:D7	2-E2	C403	2:M11	4-E1			3-M1
C33	2:P8	1-M5	&C169	2:C7	2-H2	C404	2:P11	4-E1	D300	1:H7	4-L7
C34	1:U4	1-N8	&C170	2:D6	2-J2	C405	2:N10	4-E3	D401	1:T12	4-K2
C35	1:S5	1-Q7	C171	2:E4	2-Q6	C406	2:N10	4-F3	D402	1:T10	4-L1
C36	2:S5	1-R7	C209	1:R6	3-K6	C407	1:T10	4-G3	D403	1:V5	3-D7
C39	2:Q7	1-Q9	C212	2:R9	3-Q7	*C408	2:Q11	4-F1	IC1	1:R5	1-B8
C40	2:R4	1-C7	C213	1:R9	3-Q7	*C409	2:Q11	4-G1	IC3	1:M4	1-E4
C42	2:P4	1-L5	C214	2:T6	3-A2	*C410	2:R11	4-H1	IC4	1:T3	1-F7
C43	2:S3	1-G6	C215	1:T6	3-C2	*C411	2:R11	4-H1			1-G8
C44	2:S4	1-H7	C216	2:T6	3-C3	C412	2:S10	4-H2	IC5	1:N4	1-F3
C45	2:P8	1-N5	C217	2:V5	3-C5	C413	1:S10	4-H2	IC6	1:P4	1-K5
C46	2:M5	1-D5	C218	2:S7	3-H1	C414	2:S11	4-J2			1-K3
C101	1:D8	2-B7	C219	1:T8	3-F3	*CV414	1:S11	4-J1	IC7	1:T5	1-E8
C102	1:B3	2-C3	C220	2:T8	3-F3	C415	2:U12	4-J2			1-D7
C103	1:C4	2-C3	C221	2:T8	3-F3	C416	2:S12	4-J2			1-D7
C104	2:D11	2-C3	C222	1:T7	3-J3	C417	2:U10	4-L0			1-E7
C105	2:D8	2-C6	C223	1:R7	3-N1	C418	2:T12	4-L0			1-G7
C106	2:D8	2-C7	C224	1:R7	3-L6	*C419	2:W11	4-M1			1-H7
C107	1:E8	2-C8	C225	2:R7	3-N6	*C421	2:W10	4-N1			1-J7
C108	2:D11	2-D2	C226	1:S8	3-N6	*C422	2:W10	4-N1	IC100	1:E4	2-D1
C109	2:D11	2-D3	C227	1:R9	3-Q7	*C425	2:W9	4-P1	IC101	1:C10	2-E4
C110	2:C11	2-D3	C228	2:R6	3-D3	*C426	2:W9	4-P1	&IC102	1:C7	2-J4
C111	2:D11	2-E2	C229	2:T9	3-E4	*C429	2:W8	4-R1			2-G5
C112	1:D7	2-E6	C230	2:R7	3-P7	C431	2:P12	4-B6			2-K5
C113	2:D9	2-E2	C231	2:T8	3-R2	C433	2:L10	4-D3			2-F1
C115	2:D9	2-F6	C232	2:R6	3-K6	*C434	2:S11	4-J1			2-H2
C118	2:C8	2-F7	C233	2:S9	3-R7	D4	2:N5	1-J3	&IC103	1:E6	2-K4
C119	1:E9	2-G3	C234	2:S8	3-M2			1-K3			2-K2
C121	2:B6	2-G7	C302	2:H7	4-M7	D5	2:P4	1-N3			2-N4
C123	2:B6	2-H7	C303	2:H6	4-M6			1-N3			2-R4
&C124	2:C6	2-J1	C306	2:H6	4-M6	D6	2:P7	1-N7			2-P1
C126	2:C6	2-J4	C308	2:G11	4-Q7			1-N7	IC104	1:D8	2-R1
C128	2:B6	2-J7	C309	2:H9	4-Q6	D100	2:D11	2-C2			2-R2
C129	1:B5	2-K7	C311	1:G11	4-R7			2-D2			2-M3
&C133	2:E4	2-P4	C312	2:H9	4-R6	D101	2:D4	2-B1	IC201	1:T6	3-A2
&C135	2:E5	2-Q4	*C313	2:G9	4-R5			2-B1	IC202	1:S6	3-C2
C137	1:E7	2-N2	C317	2:H5	4-K4	D102	2:D3	2-B2			3-H2
C139	2:D5	2-K4	C318	2:H5	4-L4			2-B2			3-K2
&C141	2:E4	2-Q5	C319	2:H6	4-M5	D103	2:D11	2-C3			3-N1

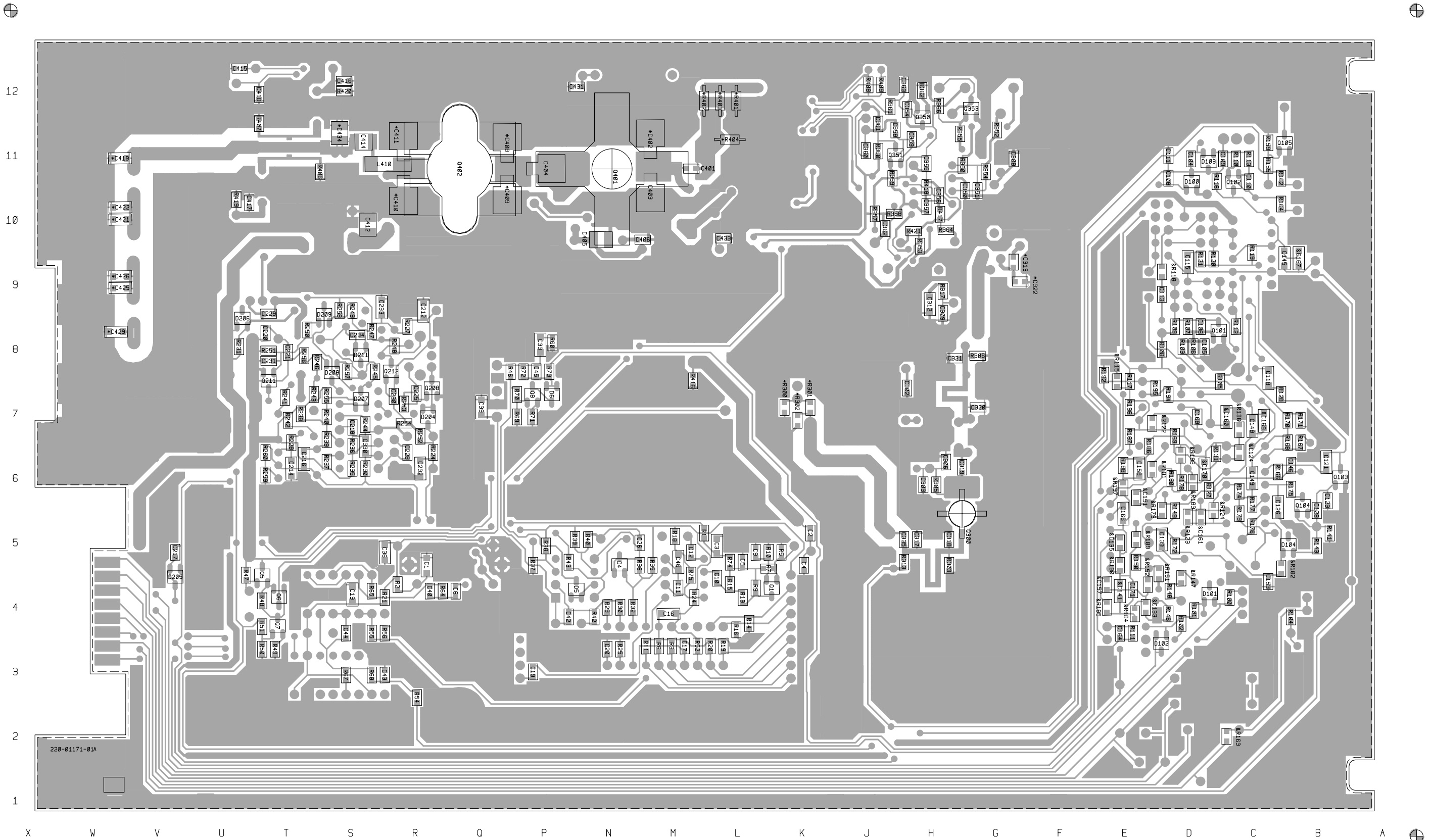
Device	PCB	Circuit	Device	PCB	Circuit	Device	PCB	Circuit	Device	PCB	Circuit
IC350	1:H10	3-G1			3-B6	R56	2:S4	1-H6	&R183	2:D6	2-L2
		4-D9			3-B5	R60	2:P8	1-M5	&R184	2:E4	2-Q5
		4-D6			3-B9	R64	2:R4	1-C7	&R185	2:E4	2-Q5
		4-G8			3-B9	R65	2:S4	1-D7	R186	2:E7	2-N3
L1	1:K5	1-B4			R67	2:S3	1-G7	R187	2:E7	2-P2	
L300	1:H6	4-L6			R68	2:S3	1-G6	R188	2:E6	2-P1	
L302	1:G8	4-P4			R69	2:P7	1-L6	&R189	2:E5	2-Q4	
L303	1:G10	4-Q7			R70	2:P7	1-L6	&R190	2:E5	2-R4	
L308	1:G9	4-Q6			R71	2:P7	1-M6	R192	2:E8	2-R2	
L309	1:G9	4-Q5			R72	2:P8	1-N5	R194	2:D7	2-Q3	
L310	1:H6	4-M5			R73	2:P8	1-N5	R195	2:E7	2-R2	
L401	1:M11	4-C1			R74	2:L5	1-B5	R196	2:E7	2-Q3	
L402	1:M10	4-D1	P401	1:V8	4-R2	R75	2:M5	1-E5	&R197	2:E6	2-Q0
L403	1:K10	4-D0	Q1	2:L4	1-C4	R100	2:C4	2-B0	&R198	2:D6	2-J2
L404	1:P10	4-E2	Q5	2:T5	1-N9	RV100	1:B9	2-B4	RV201	1:T7	3-J3
L405	1:N10	4-F3	Q6	2:T4	1-P9	R101	2:D4	2-B1	RV202	1:S8	3-M1
L406	1:P10	4-F1	Q7	2:T4	1-P7	R102	2:D4	2-C1	R224	2:R6	3-K6
L407	1:N10	4-F1	Q8	2:P7	1-M7	R103	2:D8	2-C7	R227	2:R8	3-Q7
L408	1:S10	4-G3	Q101	2:D8	2-D7	R104	2:B4	2-C4	R228	2:T7	3-A3
L409	1:R11	4-G2	Q102	2:C11	2-E3	RV104	1:C5	2-J6	R230	2:S6	3-C2
L410	2:R11	4-J2	Q103	2:B6	2-H7	R105	2:D8	2-C5	R231	2:U8	3-D5
L411	1:S12	4-K3	Q104	2:B6	2-J8	RV105	1:D7	2-Q3	R232	1:T9	3-D3
L412	1:U12	4-L1	Q105	2:C11	2-Q8	R106	2:D8	2-C6	R233	1:U8	3-E5
*L413	1:V10	4-M2	Q106	1:C4	2-C1	&RV106	1:D5	2-L1	R234	1:U7	3-E5
*L414	1:V9	4-P2	Q208	2:R7	3-M6	R107	2:D8	2-D7	R235	2:S6	3-E3
*L415	1:V8	4-Q2	Q209	1:R6	3-D2	R108	2:D8	2-D8	R236	2:S7	3-E2
L420	1:N12	4-B6	Q210	1:T9	3-E4	R109	2:D8	2-D7	R237	2:S6	3-G3
L422	1:N10	4-E3	Q211	2:T8	3-R2	R110	2:C11	2-D5	R238	2:T7	3-G3
PAD1	1:D1	2-R8	Q212	2:R8	3-P7	R111	2:E4	2-D0	R239	2:S7	3-G2
PAD2	1:C11	2-R9	Q300	2:H6	4-L5	R112	2:C8	2-D4	R240	2:S7	3-H3
PAD3	1:D10	2-B2	Q301	1:H8	4-Q5	R113	2:C11	2-D3	R241	2:T7	3-J3
PAD4	1:D10	2-R6	Q350	2:H12	4-F5	&R115	2:E8	2-D6	R242	2:T7	3-J3
PAD5	1:E3	2-N6	Q351	2:J11	4-H7	R116	2:D11	2-E3	R243	2:T7	3-K3
PAD6	1:D1	2-R6	Q352	1:J12	4-J8	R117	2:E8	2-E8	R244	2:S7	3-K2
PAD7	1:B4	2-R7	Q353	2:G12	4-E6	&R118	2:D9	2-E2	R245	2:S8	3-K1
PL1	1:P5	1-Q1	Q401	2:N11	4-E1	R119	2:C10	2-E6	R246	2:T8	3-L3
		1-Q0	Q402	2:Q11	4-G1	R120	2:D9	2-E4	R247	2:S8	3-N2
		1-Q0	R1	2:M5	1-B6	R121	2:D9	2-E6	R248	2:R8	3-N1
		1-Q2	R2	2:R4	1-B9	&R122	2:E7	2-E2	R249	2:S9	3-P2
		1-Q2	R3	2:M3	1-B1	&R123	2:D5	2-F1	R250	2:T8	3-Q2
		1-Q2	R5	2:K5	1-B4	&R124	2:D6	2-F1	R251	2:T8	3-Q2
		1-Q3	R6	2:M3	1-B1	R127	2:D6	2-H3	R252	2:R7	3-M5
		1-Q2	R7	2:L5	1-C5	R128	2:C7	2-G7	R253	2:R7	3-N6
		1-Q1	R9	2:L4	1-C5	R131	2:D6	2-J2	R254	2:R7	3-P5
		1-Q1	R10	2:L5	1-C4	&R136	2:C7	2-J1	R255	2:S7	3-H3
PL100	1:D9	2-E8	R11	2:M3	1-C1	R141	2:B5	2-K7	R256	2:T8	3-L3
		2-D8	R13	2:L4	1-C5	R143	2:B5	2-L7	R257	2:S8	3-L2
		2-D7	R14	2:L4	1-C1	R146	2:D4	2-M6	R258	2:S9	3-P2
		2-D7	R15	2:L4	1-C5	&R147	2:D5	2-M1	R259	2:T6	3-B1
		2-E7	R16	2:L4	1-D1	R148	2:D4	2-N5	R260	2:T6	3-B2
		2-E7	R18	2:M5	1-D6	R149	2:D6	2-N5	*R300	2:K7	4-J4
		2-E3	R19	2:L3	1-D1	R150	2:E5	2-N4	*R301	2:K7	4-J5
		2-E3	R20	2:L3	1-D1	&R151	2:E5	2-P4	*R302	2:K7	4-K4
		2-F3	R21	2:S4	1-F8	&R152	2:E4	2-P5	R303	2:H5	4-L4
		2-F3	R24	2:M4	1-G5	R155	2:C11	2-Q8	R305	2:H6	4-L5
PL102	1:D10	2-F3	R25	2:N3	1-G3	R159	2:C11	2-Q8	R306	2:G8	4-P4
		2-F3	R29	2:N4	1-H3	R162	2:C11	2-R9	R307	1:H9	4-P6
		2-F3	R30	2:N4	1-H3	&R163	2:C2	2-R6	R313	2:H5	4-L5
		2-G3	R32	2:N4	1-J3	R164	2:C10	2-R6	*R314	1:G6	4-M4
		2-G4	R35	2:M5	1-J3	R166	2:C6	2-G6	*R315	1:H7	4-N5
		2-F4	R36	2:N5	1-J3	R167	2:B7	2-G4	*R316	1:G7	4-N4
		2-G3	R37	2:P5	1-J5	R168	2:C7	2-H5	R317	2:H9	4-R6
		2-G3	R38	2:P5	1-K6	R169	2:D7	2-H3	R350	2:H11	4-B6
		2-G3	R39	2:P5	1-K3	R170	2:C7	2-H4	RV351	1:G12	4-B5
		2-F3	R40	2:N5	1-K2	R171	2:B7	2-H4	R352	2:G11	4-B5
PL103	1:D9	2-F3	R42	2:N4	1-L5	R172	2:D5	2-J7	R353	2:H10	4-B7
		2-F3	R43	2:P5	1-L4	R173	2:C6	2-J5	R354	2:G11	4-D5
		2-G1	R46	2:Q8	1-M5	R174	2:C6	2-J5	R355	2:H11	4-E6
		2-G1	R47	2:U5	1-N8	R175	2:B6	2-J8	RV355	1:H12	4-E6
		2-G2	R48	2:T4	1-P8	R176	2:C5	2-J6	RV356	1:J10	4-D7
		2-G1	R49	2:T3	1-P7	R177	2:C6	2-J5	R357	2:J10	4-D7
PL200	1:W5	2-G2	R50	2:T3	1-P7	R178	2:D6	2-K2	R358	2:J10	4-G9
		2-G1	R51	2:T4	1-P7	&R179	2:D6	2-K3	R359	2:J11	4-G7
		3-B7	R52	2:M3	1-H4	R180	2:D6	2-L1	R360	2:J11	4-H9
		3-B7	R54	2:R3	1-G6	&R181	2:E6	2-L1	R361	2:J12	4-G5
		3-B8	R55	2:S4	1-H6	&R182	2:C5	2-L5	R362	2:H12	4-G5

<u>Device</u>	<u>PCB</u>	<u>Circuit</u>	<u>Device</u>	<u>PCB</u>	<u>Circuit</u>	<u>Device</u>	<u>PCB</u>	<u>Circuit</u>	<u>Device</u>	<u>PCB</u>	<u>Circuit</u>
R364	2:H10	4-C7									
R366	2:H12	4-E5									
*R401	2:L12	4-B0									
*R402	2:M12	4-B1									
*R403	2:L12	4-B1									
*R404	2:L11	4-C0									
R405	1:L10	4-C0									
R406	2:T11	4-K1									
R407	2:T12	4-K2									
R408	2:J12	4-F8									
R409	2:J12	4-F8									
R415	1:N12	4-A6									
R416	2:M8	1-A4									
R417	2:H10	4-E8									
R418	2:H11	4-E7									
R419	2:U10	4-K0									
R420	2:S12	4-K2									
R421	2:H10	4-D7									
SK1	1:K5	1-B1									
		1-B3									
		1-B2									
SK2-1	1:M8	1-A4									
SK3-1	1:L7	1-R8									
SK4-1	1:Q8	1-R5									
SK4-2	1:Q8	1-R8									
SK4-3	1:Q7	1-R8									
SK4-4	1:Q7	1-R9									
SK4-5	1:Q7	1-R9									
SK5-1	1:K8	1-Q3									
SK5-2	1:K8	1-Q3									
SK5-3	1:K8	1-Q4									
SK5-4	1:K7	1-Q4									
SK5-5	1:K7	1-Q4									
SK100	1:B8	2-A7									
SK300	1:G10	4-R5									
SK401	1:L12	4-A1									
SW101	1:C11	2-B5									
TP1	1:U10	4-G3									
TP2	1:T9	4-B8									
TP3	1:R5	3-K6									
TP4	1:R5	1-R7									
T100	1:D3	2-B3									
T200	1:R8	3-M7									

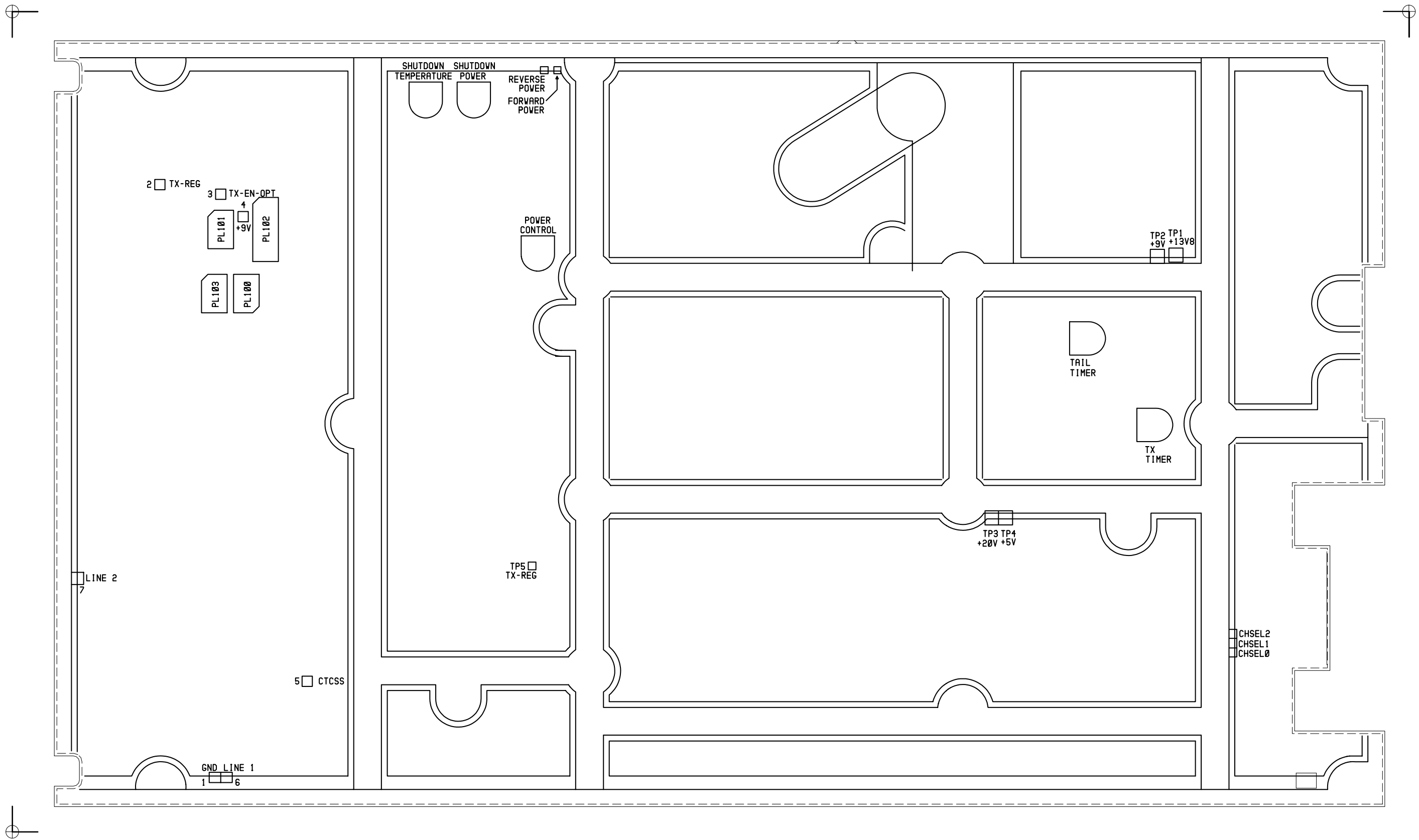




T856 PCB Layout  
Top Side  
220-01171-01



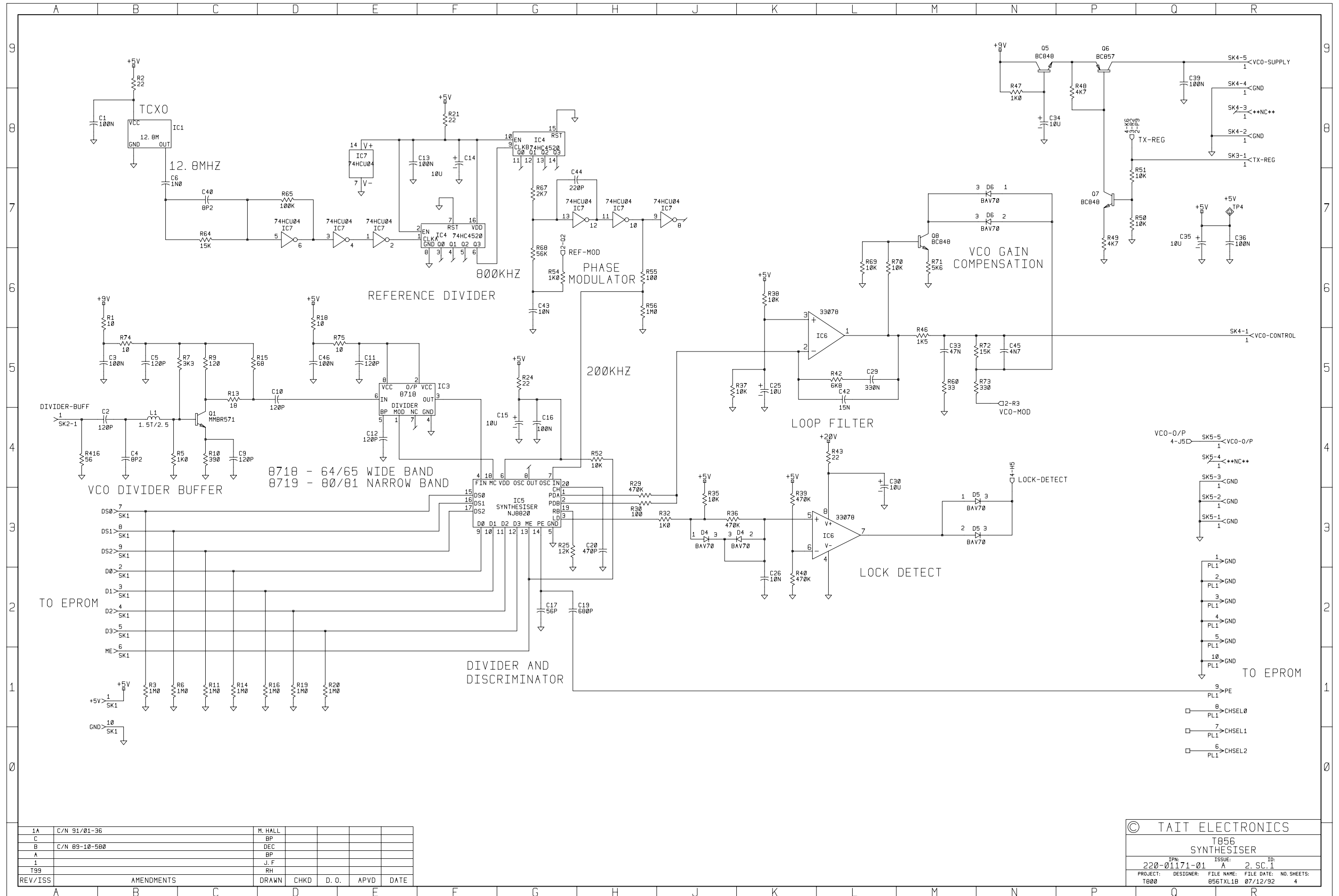
T856 PCB Layout  
Bottom Side  
220-01171-01



T856 Test Points & Options  
Top Side  
220-01171-01

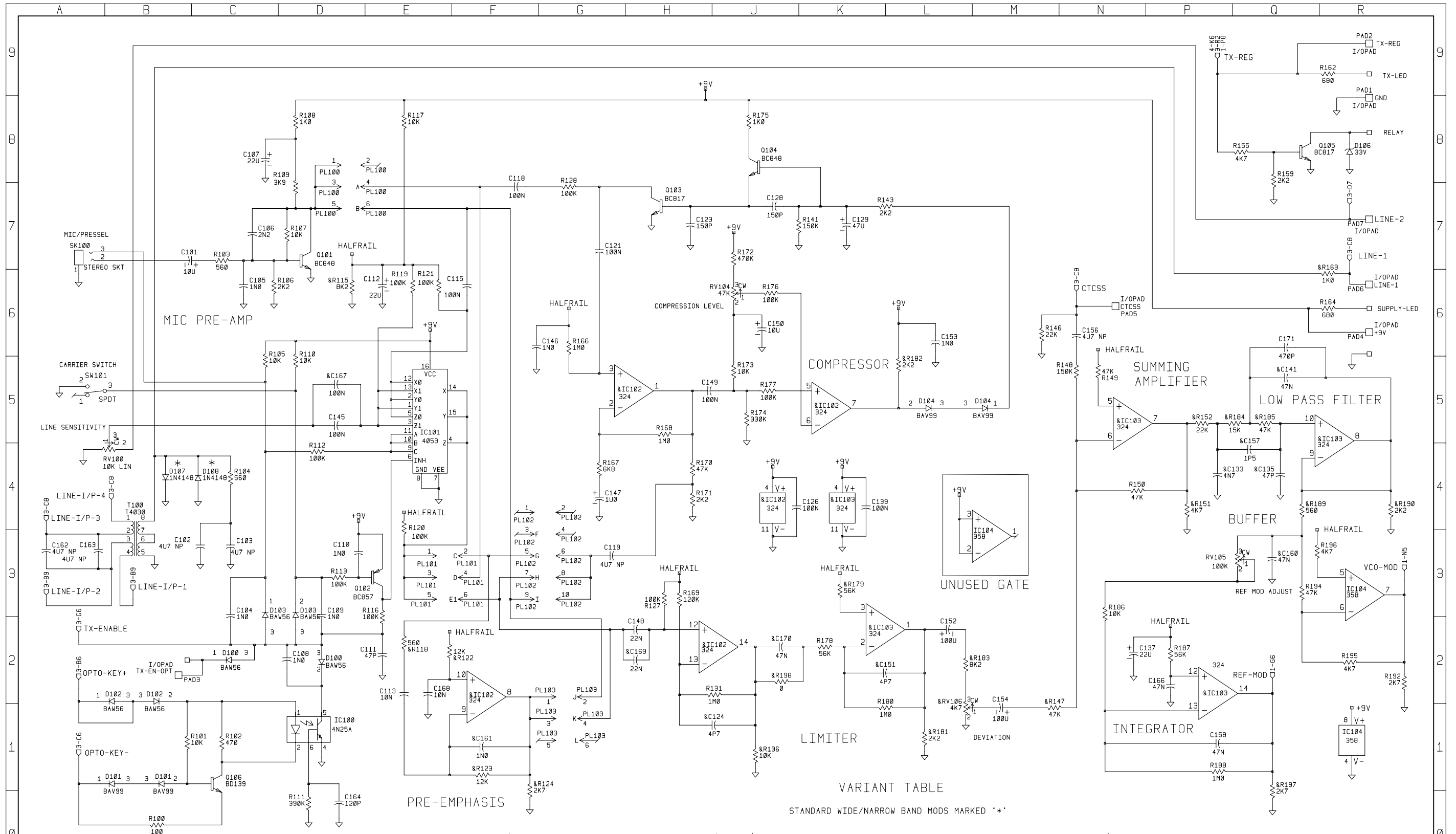






1A	C/N 91/01-36	M. HALL			
C		BP			
B	C/N 89-10-580	DEC			
A		BP			
1		J. F.			
T99		RH			
REV/ISS	AMENDMENTS	DRAWN	CHKD	D. O.	APVD DATE

© TAIT ELECTRONICS			
T856 SYNTHESISER			
IPN:	ISSUE:	ID:	
220-01171-01	A	2. SC. 1	
PROJECT:	DESIGNER:	FILE NAME:	FILE DATE:
T800		056TXL1B	07/12/92
		NO. SHEETS:	4

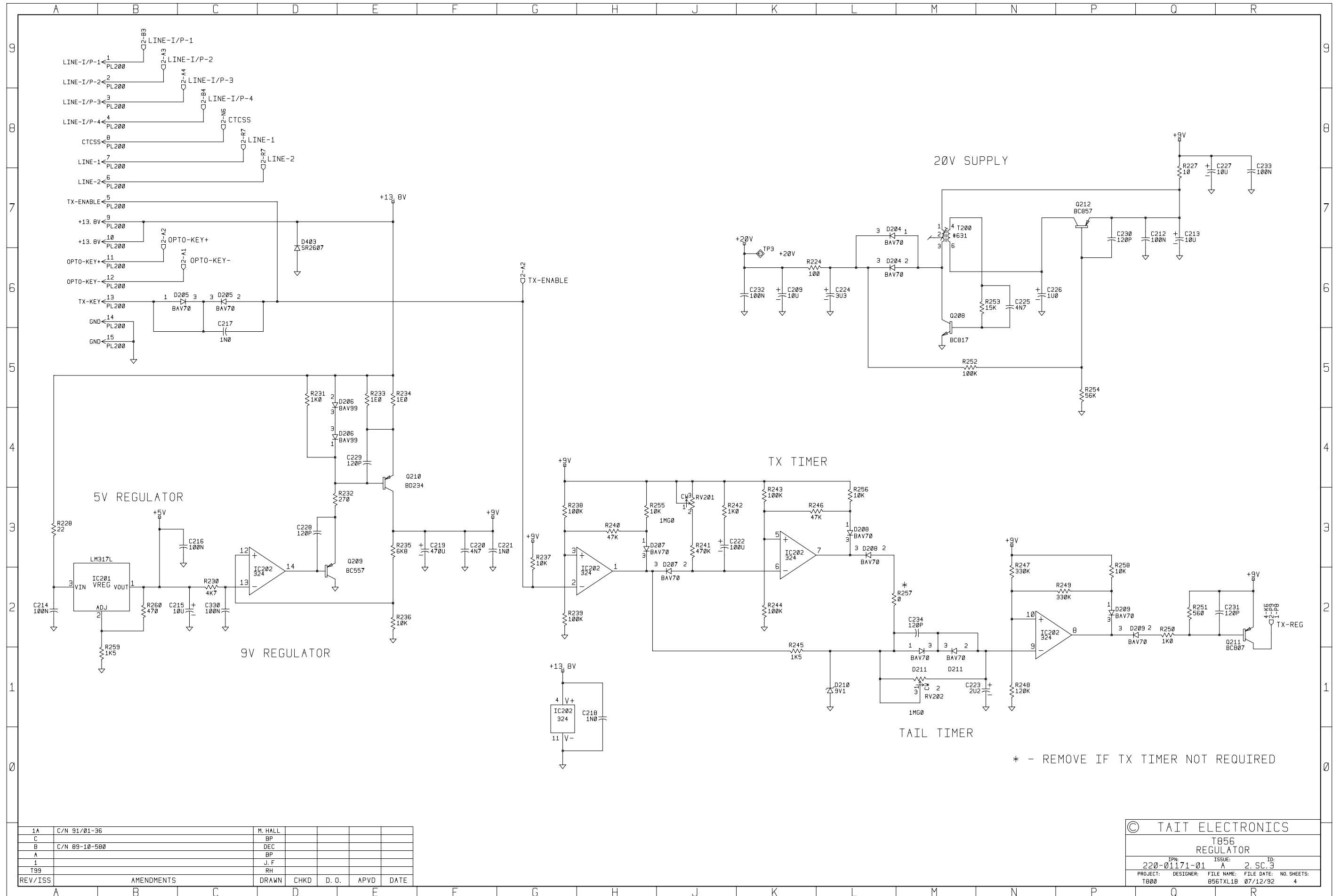


VARIANT TABLE  
STANDARD WIDE/NARROW BAND MODS MARKED '\*'

VARIANT	&BANDWIDTH	&RV106	&R115	&R118	&R122	&R123	&R124	&R136	&R147	&R151	&R152	&R163	&R179	&R101	&R102	&R103	&R104	&R105	&R109	&R190	&R197	&R199	&C124	&C133	&C135	&C141	&C151	&C157	&C161	&C160	&C167	&C169	&C170	&IC102	&IC103
14	XWIDE	10KVAR2	12KS	0S	15KS	15KS	-	-	39KS	-	22KS	0S	1MG0S	-	-	2K2S	0S	22KS	0S	-	-	-	4P7S	-	220PS	-	-	220PS	-	100NT	22NT	47NT	&IC102	&IC103	
10	WIDE	4K7VAR2	8K2S	560S	12KS	12KS	2K7S	10KS	47KS	22KS	1K0S	56KS	12KS	2K2S	2K2S	8K2S	15KS	47KS	560S	2K2S	2K7S	0S	4P7S	4N7S	47PS	47NT	4P7S	1P5S	1N0S	47NT	-	-	324	324	
15	NARROW	4K7VAR2	8K2S	560S	12KS	12KS	2K7S	10KS	47KS	4K7S	27KS	1K0S	56KS	2K2S	2K2S	8K2S	22KS	56KS	560S	2K2S	2K7S	0S	4P7S	4N7S	47PS	47NT	4P7S	1N0S	47NT	-	-	324	324		

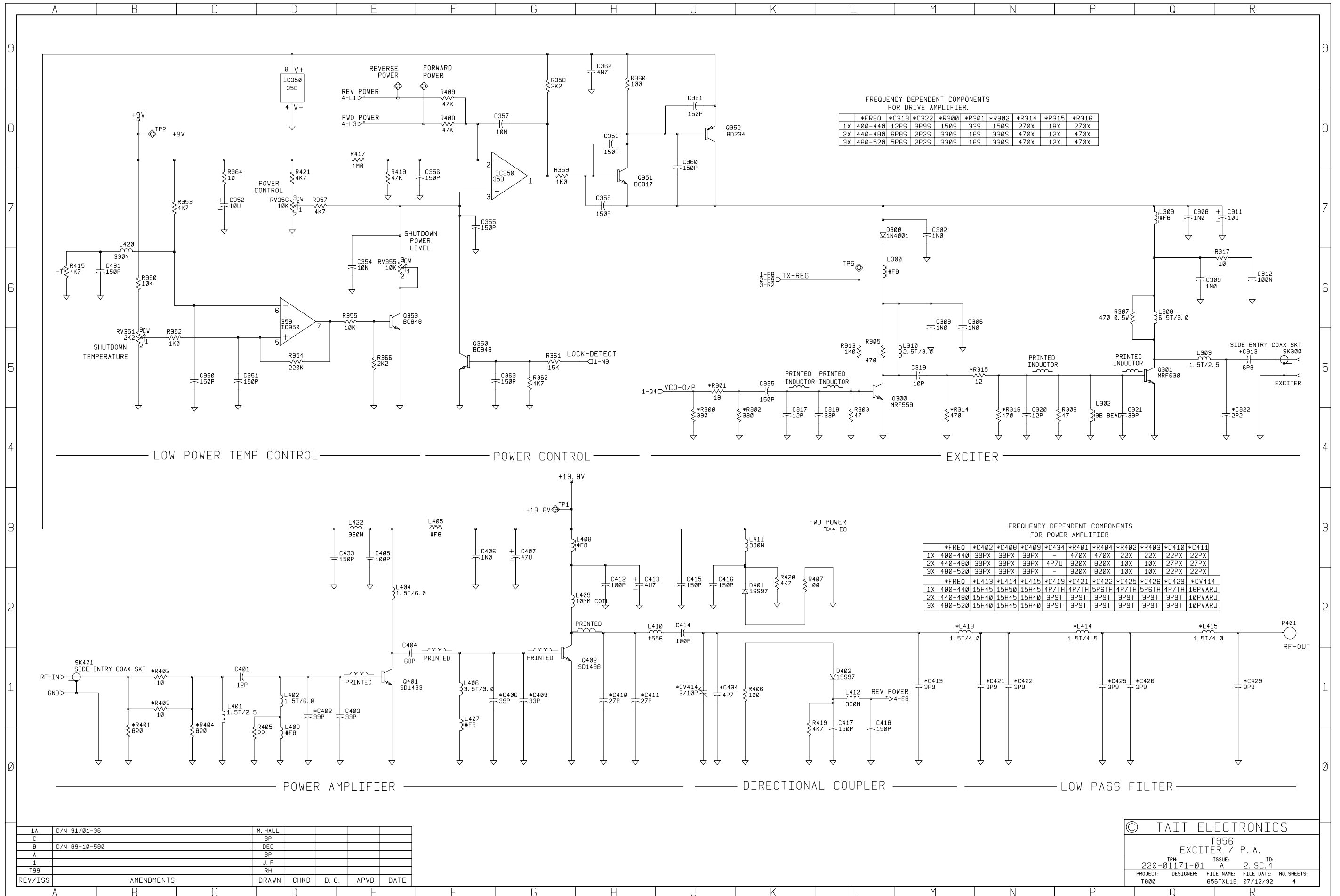
1A	C/N 91/01-36	M. HALL		
C		BP		
B	C/N 89-10-580	DEC		
A		BP		
1		J. F		
T99		RH		
REV/ISS	AMENDMENTS	DRAWN	CHKD	D. O.
				APVD
				DATE

© TAIT ELECTRONICS  
T856  
AUDIO PROCESSOR  
IPN: 220-01171-01  
ISSUE: A 2 SC.2  
PROJECT: T800 DESIGNER: FILE NAME: FILE DATE: NO. SHEETS:  
T800 856TXL1B 07/12/92 4



1A	C/N 91/01-36	M. HALL			
C		BP			
B	C/N 89-10-580	DEC			
A		BP			
1		J. F.			
T99		RH			
REV/ISS	AMENDMENTS	DRAWN	CHKD	D. O.	APVD
					DATE

© TAIT ELECTRONICS			
T856 REGULATOR			
IPN: 220-01171-01	ISSUE: A	SC: 3	ID:
PROJECT: T800	DESIGNER: 056TXL1B	FILE DATE: 07/12/92	NO. SHEETS: 4



1A	C/N 91/01-36	M. HALL			
C		BP			
B	C/N 89-10-580	DEC			
A		BP			
1		J. F			
T99		RH			
REV/ISS	AMENDMENTS	DRAWN	CHKD	D. O.	APVD DATE

© TAIT ELECTRONICS	
T856	
EXCITER / P. A.	
SPN: 220-01171-01	ISSUE: A 2 SC. 4
PROJECT: T800	DESIGNER: FILE NAME: 856TXL1B
	FILE DATE: 07/12/92
	NO. SHEETS: 4

## T856 Parts List (IPN 220-01171-03)

### How To Use This Parts List

The circuitry and PCB component layout for issue -03 T856 PCB is the same as issue -04 PCB with the exception of the components noted below. Refer instead to the following list and to the information given for issue -04 PCB.

### Parts List Differences Between -03 and -04 PCBs

Component	Issue -03 PCB		Issue -04 PCB	
C356	150pF	015-23150-01		deleted
#C421	3p3	015-01330-06	3p9	015-01390-06
#C422 (low band only)	3p3	015-01330-06	3p9	015-01390-06
#L414 (low band only)	15/5	052-08150-15	15/5.5	052-08155-15
RV100	10k lin.	040-05100-21	10k log.	040-05100-23
R359	1k0	036-14100-01	2k2	036-14220-00
R375	1k5	036-14150-00*	1k5	036-14150-00

\*This component was a manually placed addition to the board from the Tx reg. line to ground and may be positioned close to C313 in the exciter



## T856 Parts List (IPN 220-01171-04)

### How To Use This Parts List

The components listed in this parts list are divided into two main types: those with a circuit reference (e.g. C2, D1, R121, etc) and those without (miscellaneous and mechanical).

Those with a circuit reference are grouped in alphabetical order and then in numerical order within each group. Each component entry comprises three or four columns: the circuit reference, variant (if applicable), IPN and description. A number in the variant column indicates that this is a variant component which is fitted only to the product type listed.

The miscellaneous and mechanical section lists the variant and common parts in IPN order.

### Parts List Amendments

C405A 100nF (015-06100-08) added across C405 to cure 10MHz sprog at 400MHz (with MRF646 as final) (95/02-064).  
 C405A Deleted from Parts List to cure 27 & 75 MHz instability (95/07-7006).  
 C406 Changed from 1n (015-24100-08) to 100n to cure 27 & 75 MHz instability (95/07-7006).

Ref	Var	IPN	Description	Ref	Var	IPN	Description
<b>Note:</b> %D107 and %D108 are optional level limiting diodes for special applications. =R17 (47 ohm) and =SK2 are fitted in place of =IC1 when an external frequency reference is used. These two components are supplied with the T800-06 auxiliary D-range kit.				C115		015-06100-08	CAP CER 1206 CHIP 100N 10% X7R 50V
				C118		015-06100-08	CAP CER 1206 CHIP 100N 10% X7R 50V
C119		020-07470-92	CAP BI-POLAR RADL 4M7 50V 6X11MM 5MM L/S	C121		015-06100-08	CAP CER 1206 CHIP 100N 10% X7R 50V
C123		015-23150-01	CAP CER 0805 CHIP 150P 5% NPO 50V	&C124	WB	015-21470-01	CAP CER 0805 CHIP 4P7 +/-0.25P NPO 50V
C126		015-06100-08	CAP CER 1206 CHIP 100N 10% X7R 50V	C128		015-23150-01	CAP CER 0805 CHIP 150P 5% NPO 50V
C129		020-58470-02	CAP ELECT AI RDL 47M 16V 6X11MM	&C133	WB	015-24470-08	CAP CER 0805 CHIP 4N7 10% X7R 50V
C132		015-24470-08	CAP CER 0805 CHIP 4N7 10% X7R 50V	&C135	WB	015-22470-01	CAP CER 0805 CHIP 47P 5% NPO 50V
C135	UWB	015-23220-01	CAP CER 0805 CHIP 220P 5% NPO 50V	&C135	NB	015-22470-01	CAP CER 0805 CHIP 47P 5% NPO 50V
C139		020-08220-05	CAP ELECT RADL 22M 16V 5X11MM 5MM L/S	C137		015-06100-08	CAP CER 1206 CHIP 100N 10% X7R 50V
C141	WB	015-05470-08	CAP CER 1206 CHIP 47N 10% X7R 50V	&C141	NB	015-05470-08	CAP CER 1206 CHIP 47N 10% X7R 50V
C145		015-06100-08	CAP CER 1206 CHIP 100N 10% X7R 50V	C146		015-24100-08	CAP CER 0805 CHIP 1N 10% X7R 50V
C147		020-57100-02	CAP ELECT AI RDL 1M 50V 5X11MM	C148		015-05220-08	CAP CER 1206 CHIP 22N 10% X7R 50V
C149		015-06100-08	CAP CER 1206 CHIP 100N 10% X7R 50V	C150		020-58100-03	CAP ELECT AI RDL 10M 50V 5X11MM
C151	WB	015-21470-01	CAP CER 0805 CHIP 4P7 +/-0.25P NPO 50V	&C151	NB	015-21470-01	CAP CER 0805 CHIP 4P7 +/-0.25P NPO 50V
C152		020-59100-06	CAP ELECT AI RDL 100M 16V 6.3X11MM	C153		015-24100-08	CAP CER 0805 CHIP 1N 10% X7R 50V
C154		020-59100-06	CAP ELECT AI RDL 100M 16V 6.3X11MM	C156		020-07470-92	CAP BI-POLAR RADL 4M7 50V 6X11MM 5MM L/S
C157	WB	015-21150-01	CAP CER 0805 CHIP 1P5 +/-0.25P NPO 50V	&C157	NB	015-21470-01	CAP CER 0805 CHIP 4P7 +/-0.25P NPO 50V
C158		015-05470-08	CAP CER 1206 CHIP 47N 10% X7R 50V	&C160	WB	015-05470-08	CAP CER 1206 CHIP 47N 10% X7R 50V
C160	NB	015-05470-08	CAP CER 1206 CHIP 47N 10% X7R 50V	&C161	UWB	015-23220-01	CAP CER 0805 CHIP 220P 5% NPO 50V
C161	WB	015-24100-08	CAP CER 0805 CHIP 1N 10% X7R 50V	&C161	NB	015-24100-08	CAP CER 0805 CHIP 1N 10% X7R 50V
C162		020-07470-92	CAP BI-POLAR RADL 4M7 50V 6X11MM 5MM L/S	C163		020-07470-92	CAP BI-POLAR RADL 4M7 50V 6X11MM 5MM L/S
C164		015-23120-01	CAP CER 0805 CHIP 120P 5% NPO 50V	C166		015-05470-08	CAP CER 1206 CHIP 47N 10% X7R 50V
C166		015-05470-08	CAP CER 1206 CHIP 47N 10% X7R 50V	&C167	UWB	015-06100-08	CAP CER 1206 CHIP 100N 10% X7R 50V
C168		015-25100-08	CAP CER 0805 CHIP 10N 10% X7R 50V	&C169	UWB	015-05220-08	CAP CER 1206 CHIP 22N 10% X7R 50V
C170	UWB	015-05470-08	CAP CER 1206 CHIP 47N 10% X7R 50V	C171		015-23470-08	CAP CER 0805 CHIP 470P 10% X7R 50V
C171		015-23470-08	CAP CER 0805 CHIP 470P 10% X7R 50V	C209		020-58100-03	CAP ELECT AI RDL 10M 50V 5X11MM
C209		020-58100-03	CAP ELECT AI RDL 10M 50V 5X11MM	C212		015-06100-08	CAP CER 1206 CHIP 100N 10% X7R 50V
C212		015-06100-08	CAP CER 1206 CHIP 100N 10% X7R 50V	C213		025-08100-02	CAP TANT BEAD 10M 10% 16V
C213		025-08100-02	CAP TANT BEAD 10M 10% 16V	C214		015-06100-08	CAP CER 1206 CHIP 100N 10% X7R 50V
C215		025-08100-02	CAP TANT BEAD 10M 10% 16V	C216		015-06100-08	CAP CER 1206 CHIP 100N 10% X7R 50V
C216		015-06100-08	CAP CER 1206 CHIP 100N 10% X7R 50V	C217		015-24100-08	CAP CER 0805 CHIP 1N 10% X7R 50V
C217		015-24100-08	CAP CER 0805 CHIP 1N 10% X7R 50V	C218		015-24100-08	CAP CER 0805 CHIP 1N 10% X7R 50V
C218		015-24100-08	CAP CER 0805 CHIP 1N 10% X7R 50V	C219		020-09470-07	CAP 470M 16V 20% ELEC VERT 8*20 3.5MM L/S
C219		020-09470-07	CAP 470M 16V 20% ELEC VERT 8*20 3.5MM L/S	C220		015-24470-08	CAP CER 0805 CHIP 4N7 10% X7R 50V
C220		015-24470-08	CAP CER 0805 CHIP 4N7 10% X7R 50V				

Table with columns: Ref, Var, IPN, Description, Ref, Var, IPN, Description. It lists various electronic components such as capacitors, diodes, and coils with their respective part numbers and descriptions.







## T856 Mechanical &amp; Miscellaneous Parts (220-01171-04)

IPN	Description	IPN	Description
012-04150-01	CAP CER F/THRU 1N5 NO LEAD C1-C15 On 15 Way D Range Plug.	319-01152-00	SHIELD A3M2250 F/THRU MTG Attached To D Range Plug x1.
051-00006-02	SOLDER SPRING 1.3MM A4M1877 LED1 x2, LED2 x2.	319-01173-00	(L) SHIELD A3M2880 D RANGE T856 Fitted Across Rear of D Range Plug & Blanking Panel x1.
065-00010-13	BEAD FERRITE 7D 1.9*0.9*3.8MM STACK POLE 15 Way D Range Plug x15.	319-01174-00	(L) SHIELD A4M2881 N-CONNECTOR T856 Fitted Across Rear of N Connector x1.
201-00030-02	WIRE #1 T/C WIRE 7/0.2MM PVC RED 2 x70mm for LEDs.	345-00040-06	SCREW M3*8MM PAN POZI ST BZ For Final Installation Kit x2.
201-00030-10	WIRE #1 T/C WIRE 7/0.2MM PVC BLACK 2 x70mm for LEDs.	345-00040-08	SCREW M3*12MM PAN POZI ST BZ D Range Blanking Cover Mtg x2.
206-00010-11	CABLE COAX 50 OHM RG316-U PTFE 140mm Exciter/PA Connection x1.	345-00040-09	SCREW M3*6MM CSK POZI TRUNCATED HEAD ST BZ For Final Installation Kit x2.
220-01171-04	PCB T856 TX	345-00040-10	SCREW M3*6MM PAN POZI ST BZ Guide Skt to Float Plate x4, Rail x4, Final Installation Kit x2
232-00020-26	BUTTON PUSH FOR 232-00010-26 SWITCH For SW101.	345-00040-11	SCREW M3*10MM PAN POZI ST BZ Final Installation Kit x4
240-00010-55	PLUG 15 WAY D RANGE WIRE WRAP PINS PNL MTG D Range Mounted On Rear Panel x1.	345-00040-20	SCREW M3*8MM BUTTON SKT HD BLACK ZINC PHOS Front Panel Mtg x4.
240-00100-43	PLUG COAX MINI PIN PLUG CRIMP 1.5D COAX Exciter/PA Connectors x2.	349-00020-09	SCREW 4-40 x 3/8 PAN POZI TAPTITE BLACK Q402 Mtg To Heatsink x2
240-02010-54	SKT 15WAY DRANGE PNL MTG 125 DEG C Guide Rail Assembly Component, Part of Installation Kit x1	349-00020-31	SCREW TAPTITE M3X10MM PAN POZI BZ N Connector x2.
240-02100-06	SKT COAX N TYPE PNL MTG OPEN TERMINAL N Connector Mounted On Rear Panel x1.	349-00020-32	SCREW TAPTITE M3X8MM PAN POZI BZ Pcb Mounting x8.
240-04020-62	SKT 2 WAY RECEP TL SHORTING LINK For PLS100, 101, 102, 103 & 201 x1 Each.	349-00020-34	SCREW TAPTITE M3X12MM PAN POZI BZ N Connector x2.
240-04020-65	SKT JACK PIN 1.3MM PCB MTG 64 WAY SIL STRIP For SJ2-1, SJ3-1, SJ4-1 TO SJ4-5, SJ5-1 TO SJ5-5	349-00020-43	SCREW TAPTITE M4X12MM PAN POZI BZ Top Cover Mtg x14, Copper H/sink Mtg x1.
303-00010-01	TAG SOLDER 3MM SHORT M6132/3.2 For Positioning Q402 x2.	349-00020-45	SCREW TAPTITE M4X20MM PAN POZI BZ Bottom Cover Mtg x14.
303-00010-05	TAG SOLDER 4MM LONG M6142/4.2 For Positioning Q401 x1.	352-00010-08	NUT M3 COLD FORM HEX ST BZ D Range x2, D Range Cover x2, Vco Mtg x2.
303-11169-01	CHASSIS HSINK T856 A3M2411	352-00010-29	NUT M4 NYLOC HEX Handle x2.
303-23118-00	COVER A3M2247 D RANGE HOLE T855/7 Blanking Plate On Rear For Extra D Range Connector x1.	352-00010-35	NUT 8-32 UNC HEX RF POWER XSTR MTG Q401 Mtg x1.
303-50074-00	CLIP A3M2246 SPRING XSTR CLAMP T857 Q210 x1, Q352 x1.	353-00010-10	WASHER M3 FLAT 7MM*0.6MM ST BZ Float Plate x4.
303-50078-00	CLIP A4M2630 0.1MM SPRIWIRE CABLE CLAMP T800 For Securing 140mm Coax Cable x1	353-00010-11	WASHER M3 FLAT 9.5MM*0.9MM ST BZ Final Installation Kit x4.
306-01010-00	FERRULE A4M948 HANDLE FXD EQUIP For Handle x2.	353-00010-12	WASHER M3 SPRING BZ D Range x2, D Range Cover x2.
308-01007-00	HANDLE A4M949 FXD EQUIP	353-00010-13	WASHER M3 SHAKEPROOF INT BZ Vco Mtg x2.
308-13090-00	HSINK A4M2361 BRKT COPPER T856	353-00010-24	WASHER M4 FLAT ST BZ A4M1957 H/sink Mtg x1.
312-01052-00	LID TOP PNTD COMPL A1M2364 800 SERIES	362-00010-23	GASKET SIL INSULATING TO-220 CLIP MTD Q201 x1, Q352 x1.
312-01053-00	LID BOTTOM PNTD COMPL A1M2364 800 SERIES	362-00010-33	GROMMET LED MTG 3MM LO CURRENT LEDS
316-06386-01	PNL FRT COMPL A3M2335/2 T856	365-00011-53	LABEL WHITE RW2365/1 104*37MM SPECIAL ADHSIVE Item Description On Outside Of Box x1.
316-85015-01	PIN A4M775 LOCATING D RANGE For Securing D Range x2.	365-00100-03	LABEL BLANK 10.8X30MM S/A METLSD POLYES
316-85099-00	PLATE FLOAT A2M2248 DUAL D RANGE SKT BOX Guide Rail Assembly Component, Part of Installation Kit x1	365-00100-20	LABEL WHITE S/A 28X11MM QUIKSTIK RW718/4 Rev No x1, EPROM x1, T100 x1, 'Test Report Inside' x1.
316-85100-00	PLATE FRT A2M2249 DUAL D RANGE SKT BOX Guide Rail Assembly Component, Part of Installation Kit x1		
318-01014-00	RAIL A2M2214 FOR 800 SERIES FXD EQUIP Guide Rail Assembly Component, Part of Installation Kit x2		

---

<b>IPN</b>	<b>Description</b>	<b>IPN</b>	<b>Description</b>
365-01391-01	LABEL 30*10.8MM TAMPERMARK VOID MATT FCC Rules x1, FCC ID x1, Aust DOTC Cert x1, Ser No x1, Canadian DOC x1.		
365-01500-00	LABEL 24*12MM CE CONFORMITY		
399-00010-51	BAG PLASTIC 75*100MM		
400-00010-07	SLEEVING 2MM SIL RUBBER		
410-01081-00	CRTN T800 MODULE KIWI REF22860 PRTD		
410-01082-00	CRTN 10 T800 KIWI REF24417 423X410X360		

## T856 Grid Reference Index (IPN 220-01171-04)

### How To Use This Grid Reference Index

The first digit in the PCB layout reference is a "1" or "2", indicating the top or bottom side layout respectively, and the last two characters give the location of the component on that diagram.

The first part of the circuit diagram reference is the abbreviated sheet name, and the last two characters give the location of the component on that sheet.

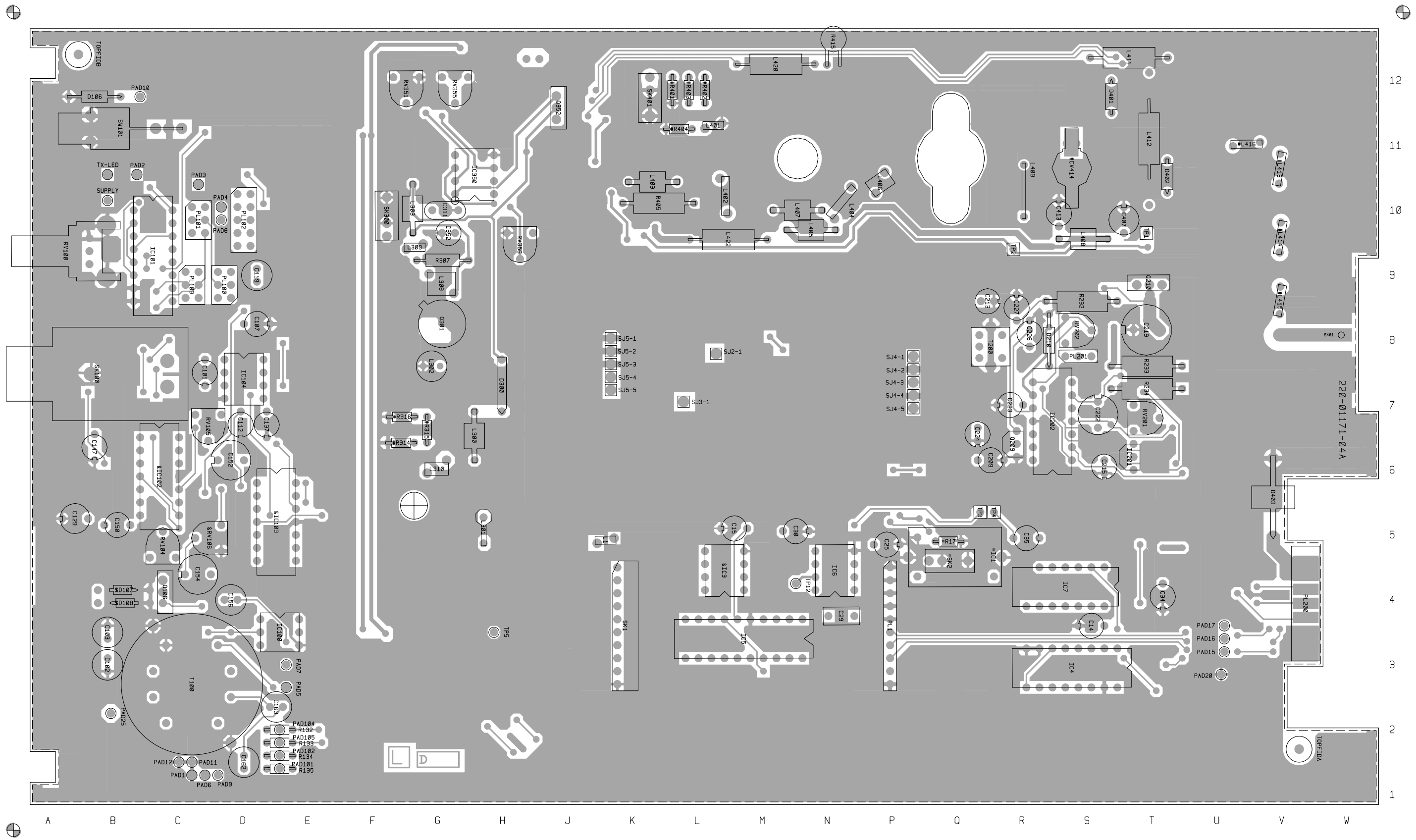
Device	PCB	Circuit	Device	PCB	Circuit	Device	PCB	Circuit	Device	PCB	Circuit
C1	2:Q5	1-A8	&C141	2:E4	2-R5	C310	2:H4	4-H7	#C434	2:S11	4-J1
C2	2:K5	1-B4	C145	2:B9	2-D5	C311	1:G10	4-R7	C435	2:S11	4-J1
C3	2:L5	1-B5	C146	2:B6	2-G6	C312	2:H9	4-Q7	D4	2:M5	1-J3
C4	2:K5	1-B4	C147	1:B6	2-H4	#C313	2:F9	4-R6	D5	2:N4	1-N3
C5	2:L5	1-B5	C148	2:C7	2-H2	C313	2:H3	4-R9	D6	2:P7	1-N3
C6	2:Q4	1-B7	C149	2:C6	2-H5	C314	2:H4	4-K7	D100	2:D11	2-B2
C9	2:K5	1-C4	C150	1:B5	2-J6	C315	2:H4	4-L7	D101	2:C4	2-B1
C10	2:L5	1-D5	&C151	2:D6	2-L2	C317	2:G5	4-K5	D102	2:D3	2-B2
C11	2:M4	1-E5	C152	1:D6	2-L2	C318	2:G5	4-L5	D103	2:C11	2-C3
C12	2:L5	1-E4	C153	2:B4	2-L6	C319	2:G6	4-M5	D104	2:B5	2-M5
C13	2:S4	1-E8	C154	1:C4	2-M1	C320	2:G7	4-N5	D106	1:B12	2-R8
C14	1:S4	1-F8	C156	1:D4	2-N6	C321	2:G8	4-P5	%D107	1:B4	2-B4
C15	1:M5	1-G4	&C157	2:E4	2-Q4	#C322	2:F9	4-R5	%D108	1:B4	2-C4
C16	2:M4	1-G4	C158	2:D6	2-R1	C335	2:H6	4-H5	D204	2:Q7	3-L7
C17	2:L3	1-G2	&C160	2:C7	2-Q3	C342	2:G11	4-B7	D205	2:U5	3-C6
C19	2:P3	1-G2	&C161	2:C5	2-F1	C350	2:G11	4-C5	D206	2:T9	3-E4
C20	2:N3	1-H3	C162	1:D2	2-A3	C351	2:G11	4-D5	D207	2:S7	3-H3
C25	1:P5	1-K5	C163	1:E2	2-B3	C352	1:G10	4-C8	D208	2:S7	3-L3
C26	2:M5	1-K2	C164	2:E4	2-C1	C353	2:G12	4-H6	D209	2:S9	3-P2
C29	1:N4	1-L5	C166	2:E6	2-Q2	C354	2:H12	4-G6	D210	1:R8	3-L1
C30	1:N5	1-M2	&C167	2:B9	2-D5	C355	2:H11	4-F7	D211	2:R8	3-M1
C33	2:P8	1-M5	C168	2:D7	2-E2	C357	2:H10	4-G9	D300	1:H7	4-L7
C34	1:T4	1-P8	&C169	2:B7	2-H2	C358	2:J11	4-H8	D302	2:H5	4-J5
C35	1:R5	1-Q7	&C170	2:C6	2-J2	C359	2:J11	4-H7	D303	2:H5	4-K5
C36	2:R5	1-R7	C171	2:E4	2-R5	C360	2:H11	4-J8	D304	2:H5	4-J5
C39	2:Q7	1-Q9	C209	1:R6	3-K6	C361	2:J12	4-J9	D401	1:S12	4-K2
C40	2:Q4	1-C7	C212	2:R9	3-N7	C362	2:H10	4-H9	D402	1:T10	4-L1
C41	2:T3	1-N7	C213	1:R9	3-P7	C363	2:H12	4-G5	D403	1:V5	3-D7
C42	2:N4	1-L5	C214	2:T6	3-A2	C401	2:L11	4-C1	D404	1:R5	1-B8
C43	2:R3	1-G6	C215	1:S6	3-C2	#C402	2:M11	4-D0	&IC3	1:M4	1-E4
C44	2:S4	1-H7	C216	2:S7	3-C3	C403	2:M11	4-E0	IC4	1:T3	1-F7
C45	2:P8	1-N6	C217	2:U5	3-C6	C404	2:P11	4-E1	IC5	1:N4	1-F3
C46	2:M5	1-D5	C218	2:S7	3-H1	C405	2:N10	4-E2	IC6	1:N4	1-L1
C101	1:C8	2-B7	C219	1:T8	3-F3	C406	2:M10	4-F2			1-L3
C102	1:B3	2-C4	C220	2:T8	3-F3	C407	1:T10	4-G2			1-K5
C103	1:B4	2-C4	C221	2:T8	3-F3	#C408	2:P11	4-F1	IC7	1:S5	1-E8
C104	2:D11	2-C3	C222	1:S7	3-J3	#C409	2:P11	4-G1			1-D7
C105	2:C8	2-C6	C223	1:R7	3-N1	#C410	2:R11	4-H1			1-D7
C106	2:C8	2-D7	C224	1:Q7	3-K6	#C411	2:R11	4-H1			1-E7
C107	1:D8	2-C7	C225	2:R7	3-M6	C412	2:R10	4-H2			1-G7
C108	2:D11	2-D2	C226	1:R8	3-N6	C413	1:S10	4-H2			1-H7
C109	2:C11	2-D3	C227	1:R9	3-P7	C414	2:R11	4-J1			1-J7
C110	2:C11	2-D3	C228	2:R6	3-D3	#CV414	1:S11	4-J1			2-D1
C111	2:D11	2-E2	C229	2:T9	3-E4	C415	2:U12	4-J2			
C112	1:D7	2-E6	C230	2:R7	3-N7	C416	2:S12	4-J2			
C113	2:D9	2-E2	C231	2:T8	3-Q2	C417	2:U10	4-L0			
C115	2:D9	2-E6	C232	2:R6	3-K6	C418	2:T12	4-L0			
C118	2:B8	2-F7	C233	2:R9	3-Q7	#C419	2:V11	4-N1			
C119	1:D9	2-G3	C234	2:S8	3-M2	#C421	2:V10	4-P1			
C121	2:B6	2-H6	C235	2:R7	3-C2	#C422	2:V10	4-P1			
C123	2:A6	2-H7	C300	2:H5	4-K4	#C425	2:V9	4-Q1			
&C124	2:C6	2-J1	C302	2:H7	4-M7	#C426	2:V9	4-Q1			
C126	2:B6	2-J4	C303	2:G6	4-M6	#C427	2:U11	4-M1			
C128	2:B6	2-J7	C304	2:H5	4-K5	#C428	2:V11	4-M1			
C129	1:A5	2-K7	C305	2:H5	4-K5	#C429	2:V8	4-R1			
&C133	2:D4	2-P4	C306	2:G6	4-M6	#C430	2:V11	4-N1			
&C135	2:E5	2-Q4	C307	2:H4	4-K6	C431	2:N12	4-A6			
C137	1:D7	2-Q2	C308	2:G11	4-Q7	#C431	2:V10	4-P1			
C139	2:D5	2-K4	C309	2:G9	4-Q7	C433	2:L10	4-E2			

Device	PCB	Circuit	Device	PCB	Circuit	Device	PCB	Circuit	Device	PCB	Circuit
IC101	1:B10	2-E4	PAD20	1:U3	1-Q0	Q300	2:G6	4-L5	R104	2:B4	2-C4
&IC102	1:B7	2-H5	PAD25	1:B2	2-R7	Q301	1:G8	4-Q5	RV105	1:D7	2-P3
		2-J4	PL100	1:D9	2-E8	Q302	2:H4	4-J7	R105	2:C8	2-C5
		2-K5			2-D8	Q303	2:H4	4-K7	R106	2:D8	2-C6
		2-F1			2-D7	Q304	2:H4	4-L6	&RV106	1:D5	2-L1
		2-H2			2-D7	Q350	2:H12	4-F6	R107	2:D8	2-C7
&IC103	1:D6	2-K4			2-E7	Q351	2:J11	4-H8	R108	2:D8	2-C8
		2-K2			2-E7	Q352	1:J12	4-J8	R109	2:D8	2-C7
		2-N4			2-D8	Q353	2:G11	4-E6	R110	2:C11	2-D5
		2-R4	PL101	1:C10	2-E3	Q354	2:G12	4-G6	R111	2:E4	2-D1
		2-R1			2-E3	Q401	2:N11	4-E1	R112	2:C8	2-D4
IC104	1:D8	2-R0			2-E3	Q402	2:Q11	4-G1	R113	2:C11	2-D3
		2-R3			2-F3	R1	2:L5	1-B6	&R115	2:E8	2-D6
		2-M3			2-F3	R2	2:R4	1-B9	R116	2:C11	2-E3
IC201	1:T6	3-A2			2-F3	R3	2:M3	1-B1	R117	2:E8	2-D7
IC202	1:S6	3-C2			2-E3	R4	2:L8	1-A4	&R118	2:D9	2-E2
		3-H2	PAD101	1:E1	2-A3	R5	2:K5	1-B4	R119	2:C10	2-E6
		3-K2	PL102	1:D10	2-G3	R6	2:M3	1-B1	R120	2:C9	2-F5
		3-N1			2-F4	R7	2:K5	1-C5	R121	2:C9	2-E6
		3-G1			2-F3	R9	2:K4	1-C5	&R122	2:D7	2-E2
IC350	1:H10	4-D9			2-G4	R10	2:K5	1-C4	&R123	2:D5	2-F1
		4-D6			2-G3	R11	2:M3	1-C1	&R124	2:C6	2-F1
		4-G8			2-G3	R13	2:L4	1-C5	R127	2:C6	2-H3
LINKA	2:T4	1-P7			2-G3	R14	2:K4	1-C1	R128	2:B7	2-G7
L1	1:K5	1-B4			2-F3	R15	2:L4	1-C5	R131	2:C6	2-J2
L300	1:H6	4-L7			2-F3	R16	2:L4	1-D1	R132	1:D2	2-A2
L301	1:H5	4-K5			2-F3	=R17	1:Q5	1-B7	R133	1:D2	2-A1
L302	1:G8	4-P5			2-F4	R18	2:M5	1-D6	R134	1:D2	2-A3
L303	1:G10	4-Q7	PAD102	1:E2	2-A2	R19	2:L3	1-D1	R135	1:D1	2-A3
L308	1:G9	4-Q6	PL103	1:C9	2-G1	R20	2:L3	1-D1	&R136	2:C7	2-J1
L309	1:G9	4-Q6			2-G1	R21	2:R4	1-F8	R141	2:A5	2-K7
L310	1:G6	4-M6			2-G1	R24	2:L4	1-G5	R143	2:B5	2-L7
L401	1:L11	4-C0			2-G2	R25	2:M3	1-G3	R146	2:D4	2-N5
L402	1:M10	4-D1			2-G2	R29	2:N4	1-H3	&R147	2:D4	2-M1
L403	1:K10	4-D0			2-G1	R30	2:M4	1-H3	R148	2:D4	2-N5
L404	1:N10	4-E2			2-G0	R32	2:M4	1-J3	R149	2:D6	2-N5
L405	1:M10	4-F2	PAD104	1:E2	2-A1	R35	2:M5	1-J3	R150	2:D5	2-P4
L406	1:P10	4-F1	PAD105	1:E2	2-A1	R36	2:M5	1-J3	&R151	2:D5	2-P4
L407	1:M10	4-F0	PL200	1:V5	3-B7	R37	2:P5	1-J5	&R152	2:D4	2-P5
L408	1:S10	4-G2			3-B7	R38	2:P5	1-K6	R155	2:B11	2-Q8
L409	1:R11	4-G2			3-B8	R39	2:N5	1-K3	R159	2:B11	2-Q8
L410	2:R11	4-H1			3-B7	R40	2:N5	1-K2	R162	2:B11	2-R9
L411	1:S12	4-K2			3-B8	R42	2:N4	1-L5	&R163	2:C2	2-R7
L412	1:T12	4-L1			3-B6	R43	2:N5	1-L2	R164	2:B10	2-R6
#L413	1:V10	4-N1			3-B5	R46	2:P8	1-M5	R166	2:B6	2-G6
#L414	1:V9	4-P1			3-B9	R47	2:T5	1-P8	R167	2:B7	2-H4
#L415	1:V8	4-R1			3-B9	R48	2:T4	1-P9	R168	2:B7	2-H5
#L416	1:V11	4-M1			3-B8	R49	2:T3	1-P7	R169	2:D7	2-H3
L420	1:N12	4-A6			3-B8	R50	2:T4	1-P7	&R170	2:B7	2-H4
L422	1:M10	4-E2			3-B6	R51	2:T4	1-N7	R171	2:B7	2-H4
PAD1	1:C1	2-R9			3-B6	R52	2:L3	1-H4	R172	2:D5	2-J7
PL1	1:P5	1-Q1			3-B7	R53	2:T3	1-N8	R173	2:C6	2-J5
		1-Q0			3-B6	R54	2:R3	1-G6	R174	2:C6	2-J5
		1-Q0			3-A5	R55	2:R4	1-H6	R175	2:B6	2-J8
		1-Q2	PL201	1:S8	3-M3	R56	2:R4	1-H6	R176	2:C5	2-J6
		1-Q3			3-M2	R57	2:T3	1-N7	R177	2:C6	2-J5
		1-Q2			3-M2	R58	2:T3	1-Q7	R178	2:D6	2-K2
		1-Q1			3-M3	R59	2:T3	1-Q7	&R179	2:D6	2-K3
		1-Q2	Q1	2:K4	1-C4	R60	2:P8	1-M5	R180	2:D6	2-L1
		1-Q2	Q5	2:T5	1-P9	R64	2:Q4	1-C7	&R181	2:D6	2-L1
		1-Q1	Q6	2:T5	1-Q9	R65	2:R4	1-D7	&R182	2:B5	2-L5
		1-Q0	Q7	2:T3	1-P7	R67	2:S3	1-G7	&R183	2:D6	2-L2
PAD2	1:B11	2-R9	Q8	2:P7	1-M6	R68	2:R3	1-G6	&R184	2:E4	2-P5
PAD3	1:C10	2-A2	Q9	2:T3	1-P7	R69	2:P7	1-L6	&R185	2:E4	2-Q5
PAD4	1:D10	2-R6	Q10	2:T4	1-Q8	R70	2:P7	1-L6	R186	2:D7	2-P2
PAD5	1:E3	2-N7	Q101	2:C8	2-D7	R71	2:P7	1-M6	R187	2:E7	2-Q2
PAD6	1:C1	2-R7	Q102	2:C11	2-E3	R72	2:P8	1-M6	R188	2:E6	2-R1
PAD7	1:E3	2-N6	Q103	2:A6	2-H7	R73	2:P8	1-N6	&R189	2:D5	2-Q4
PAD8	1:D10	2-R5	Q104	2:B6	2-J8	R74	2:L5	1-B5	&R190	2:E5	2-R4
PAD9	1:D1	2-R6	Q105	2:B11	2-Q8	R75	2:L5	1-E5	R192	2:E8	2-R3
PAD10	1:B12	2-R8	Q106	1:C4	2-C1	R100	2:C4	2-B0	R194	2:D7	2-Q3
PAD11	1:C2	2-R8	Q208	2:Q7	3-M6	RV100	1:B9	2-B5	R195	2:D7	2-R3
PAD12	1:C2	2-R7	Q209	1:R6	3-D2	R101	2:D4	2-B1	R196	2:E7	2-Q4
PAD15	1:U3	1-Q1	Q210	1:T9	3-E4	R102	2:D4	2-C1	&R197	2:E6	2-R1
PAD16	1:U3	1-Q0	Q211	2:T8	3-Q2	R103	2:D8	2-C7	&R198	2:D6	2-J2
PAD17	1:U4	1-Q0	Q212	2:R8	3-N6	RV104	1:C5	2-J6	RV201	1:T7	3-J3

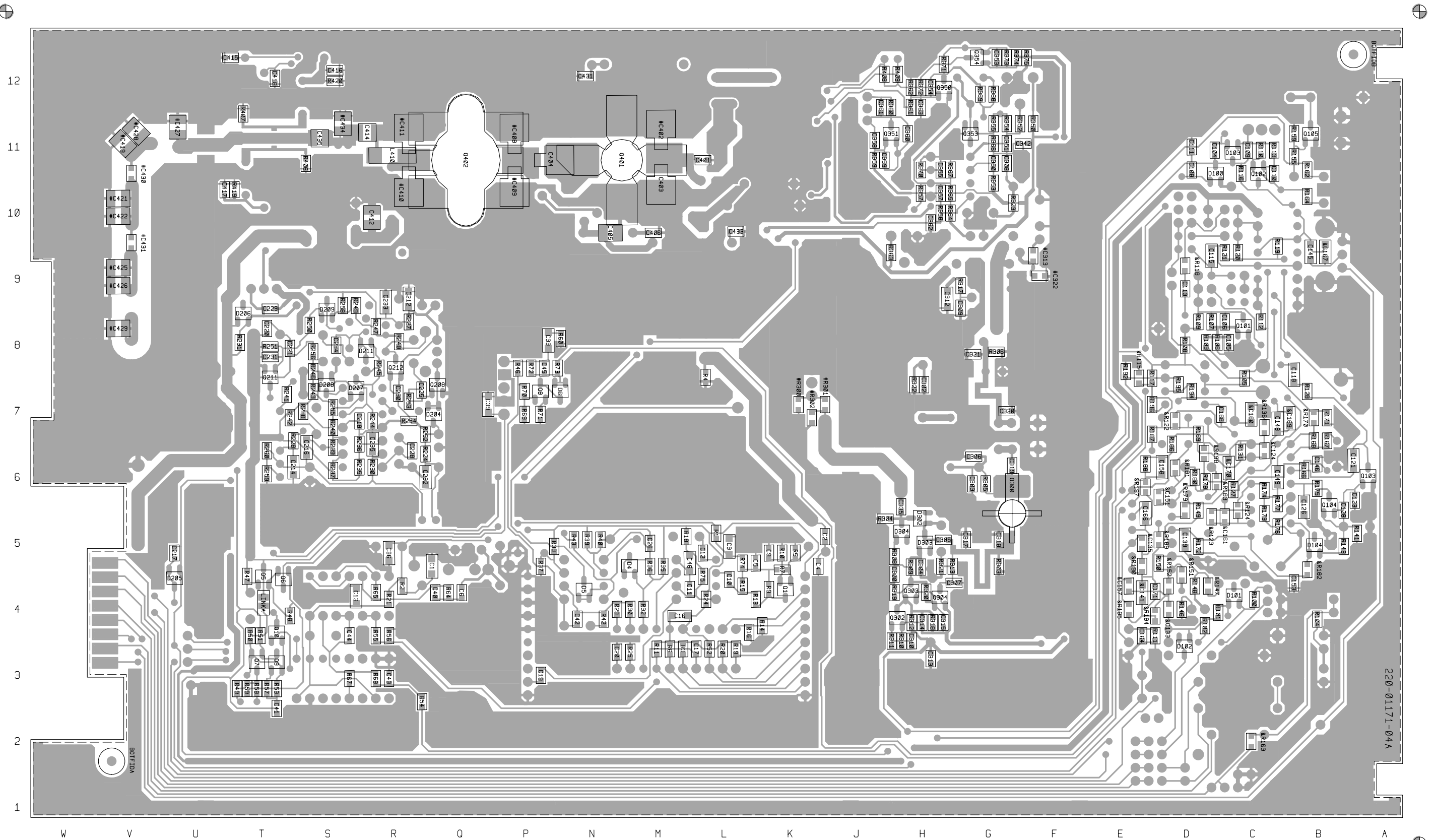
<u>Device</u>	<u>PCB</u>	<u>Circuit</u>	<u>Device</u>	<u>PCB</u>	<u>Circuit</u>	<u>Device</u>	<u>PCB</u>	<u>Circuit</u>	<u>Device</u>	<u>PCB</u>	<u>Circuit</u>
RV202	1:S8	3-L1	R367	2:H11	4-E8						
R224	2:R6	3-K6	R368	2:G12	4-E7						
R227	2:R8	3-P7	R369	2:G12	4-F6						
R228	2:T7	3-A3	R370	2:H11	4-G7						
R230	2:R6	3-C2	R371	2:H12	4-G6						
R231	2:T8	3-D4	R372	2:H12	4-G6						
R232	1:T9	3-D3	R373	2:G12	4-G6						
R233	1:U8	3-E4	R374	2:G12	4-H6						
R234	1:U7	3-E4	R375	2:F12	4-R9						
R235	2:S6	3-E3	#R401	1:L12	4-B0						
R236	2:S7	3-E2	#R402	1:L12	4-B1						
R237	2:S6	3-G3	#R403	1:L12	4-B0						
R238	2:S7	3-G3	#R404	1:L11	4-C0						
R239	2:S7	3-G2	R405	1:L10	4-C0						
R240	2:S7	3-H3	R406	2:S11	4-K1						
R241	2:T7	3-J3	R407	2:T12	4-L2						
R242	2:T7	3-J3	R408	2:J12	4-F9						
R243	2:S7	3-K3	R409	2:H12	4-F9						
R244	2:R7	3-K2	R415	1:N12	4-A6						
R245	2:R8	3-K1	R419	2:T10	4-K0						
R246	2:S8	3-L3	R420	2:S12	4-K2						
R247	2:R8	3-N2	SUPPLY	1:B10	2-R6						
R248	2:R8	3-N1	SK1	1:K5	1-B1						
R249	2:S9	3-N2			1-B3						
R250	2:S8	3-Q2			1-B3						
R251	2:T8	3-Q2			1-B3						
R252	2:R7	3-M6			1-B2						
R253	2:R7	3-M6			1-B2						
R254	2:R7	3-N5			1-B2						
R255	2:S7	3-H3			1-B2						
R256	2:S8	3-L3			1-B1						
R258	2:S9	3-P2			1-B1						
R259	2:T6	3-B1			1-A0						
R260	2:T6	3-B2	=SK2	1:Q5	1-A8						
#R300	2:K7	4-G5	SK100	1:B8	2-A7						
#R301	2:K7	4-H5	SW101	1:C11	2-B5						
#R302	2:K7	4-H5	SJ2-1	1:L8	1-A4						
R303	2:G5	4-L5	SJ3-1	1:L7	1-R8						
R304	2:J5	4-H5	SK300	1:F10	4-R6						
R305	2:G6	4-L6	SJ4-1	1:P8	1-R5						
R306	2:G8	4-P5	SJ4-2	1:P8	1-R8						
R307	1:H9	4-P6	SJ4-3	1:P7	1-R8						
R308	2:H5	4-J5	SJ4-4	1:P7	1-R9						
R309	2:H5	4-K5	SJ4-5	1:P7	1-R9						
R310	2:H4	4-H7	S401	1:W8	4-R1						
R311	2:H4	4-J7	SK401	1:K12	4-A1						
R312	2:H4	4-J6	SJ5-1	1:K8	1-Q3						
R313	2:H5	4-L6	SJ5-2	1:K8	1-Q3						
#R314	1:G6	4-M5	SJ5-3	1:K8	1-Q4						
#R315	1:G6	4-N5	SJ5-4	1:K7	1-Q4						
#R316	1:G7	4-N5	SJ5-5	1:K7	1-Q4						
R317	2:G9	4-Q7	TX-LED	1:B11	2-R9						
R318	2:H4	4-K7	TP1	1:T10	4-F3						
R319	2:H4	4-K6	TP2	1:R9	4-B8						
R320	2:H4	4-K6	TP3	1:Q5	1-M2						
R321	2:H5	4-L6	TP4	1:R5	1-R7						
R322	2:H7	4-M7	TP5	1:H4	4-S9						
R323	2:G10	4-R7	TP12	1:N4	1-M4						
R350	2:F11	4-B7	T100	1:C3	2-B3						
RV351	1:G12	4-B6	T200	1:R8	3-M7						
R352	2:G11	4-C6									
R353	2:G11	4-C7									
R354	2:G11	4-D6									
R355	2:G11	4-E6									
RV355	1:G12	4-E7									
RV356	1:H10	4-D8									
R357	2:H10	4-D8									
R358	2:H10	4-G9									
R359	2:J11	4-G8									
R360	2:J12	4-H9									
R361	2:H12	4-G6									
R362	2:H12	4-G5									
R363	2:J9	4-D8									
R364	2:H10	4-C8									
R365	2:H10	4-E8									
R366	2:G11	4-E6									



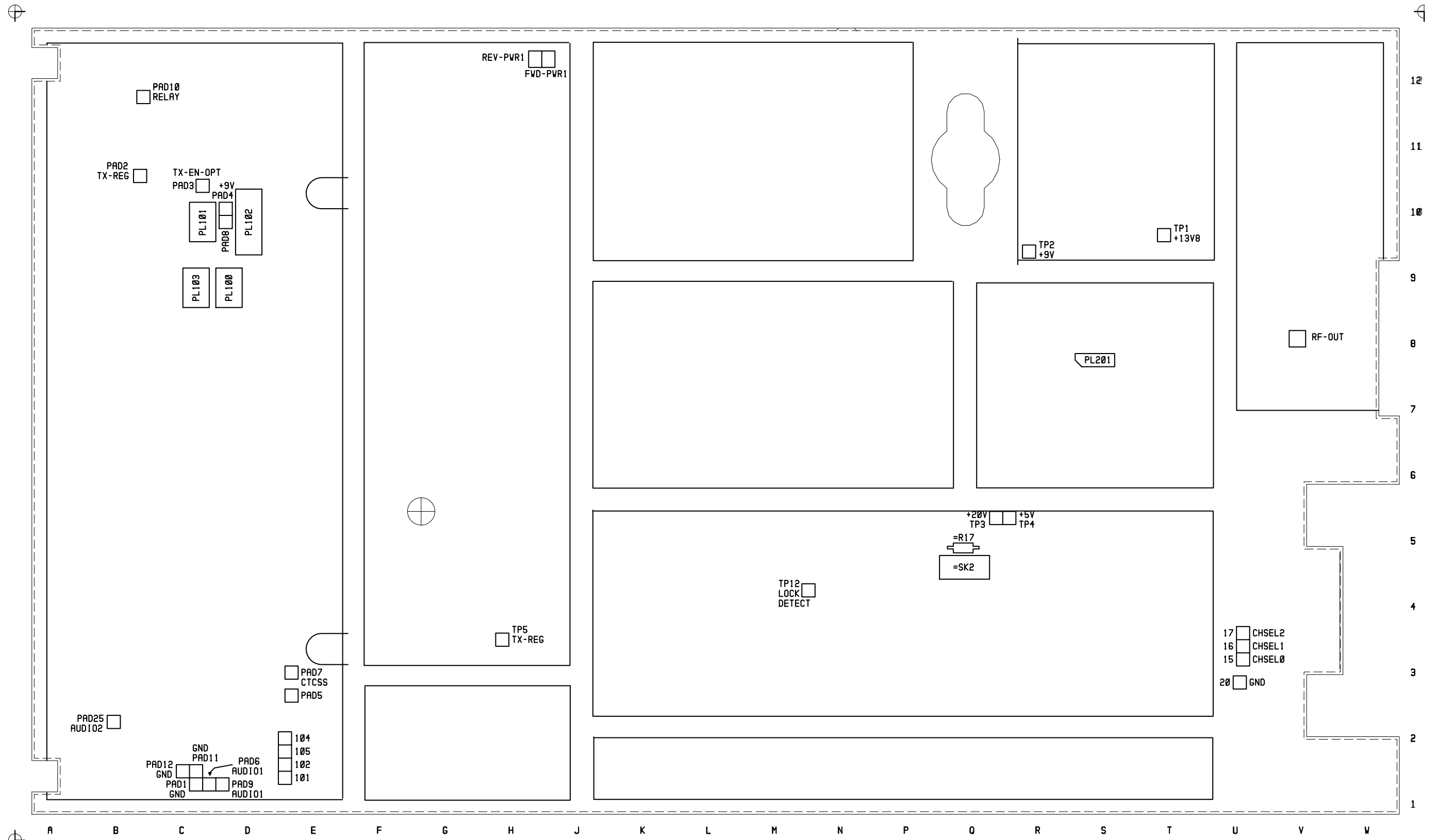




T856 PCB Layout  
Top Side  
220-01171-04

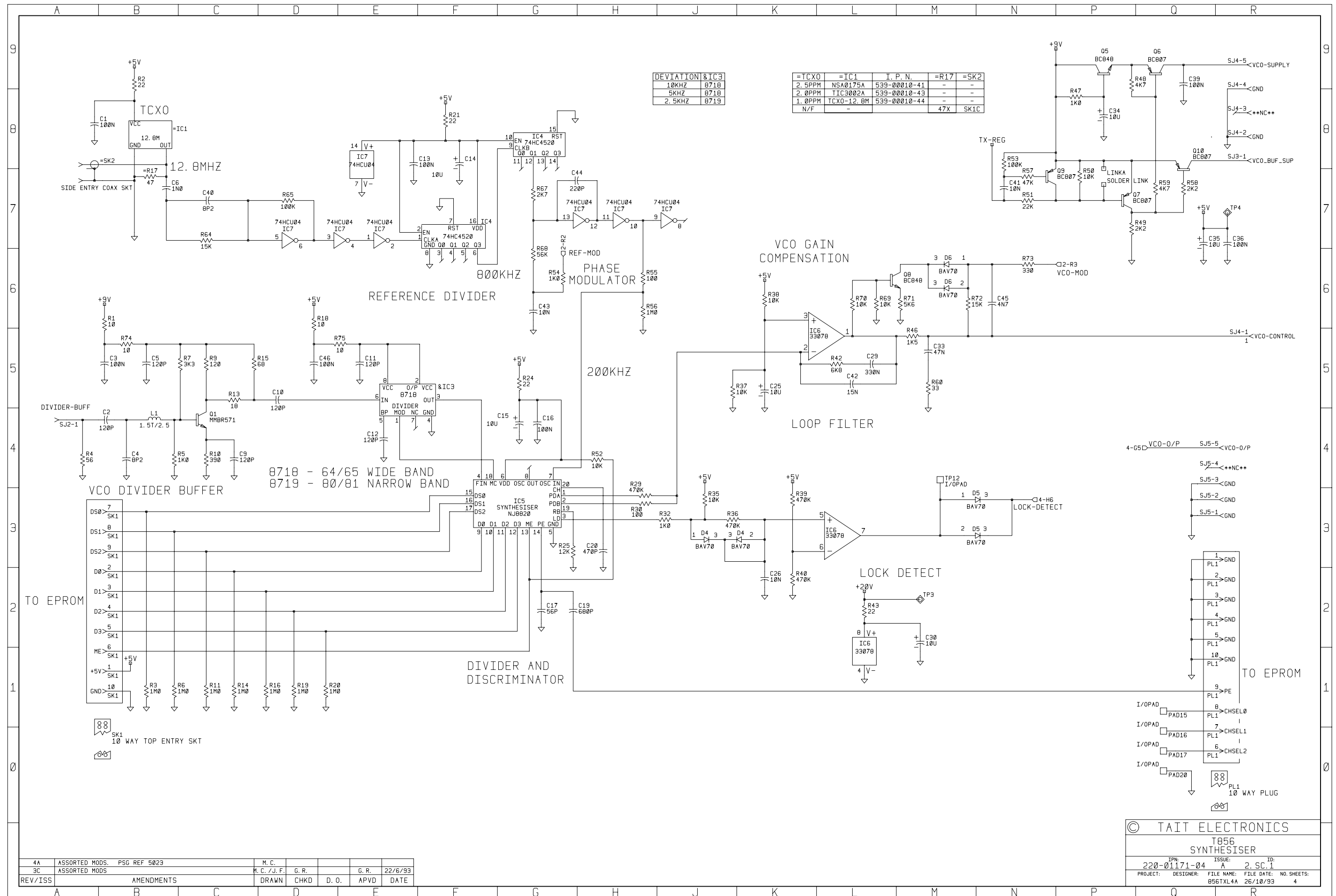


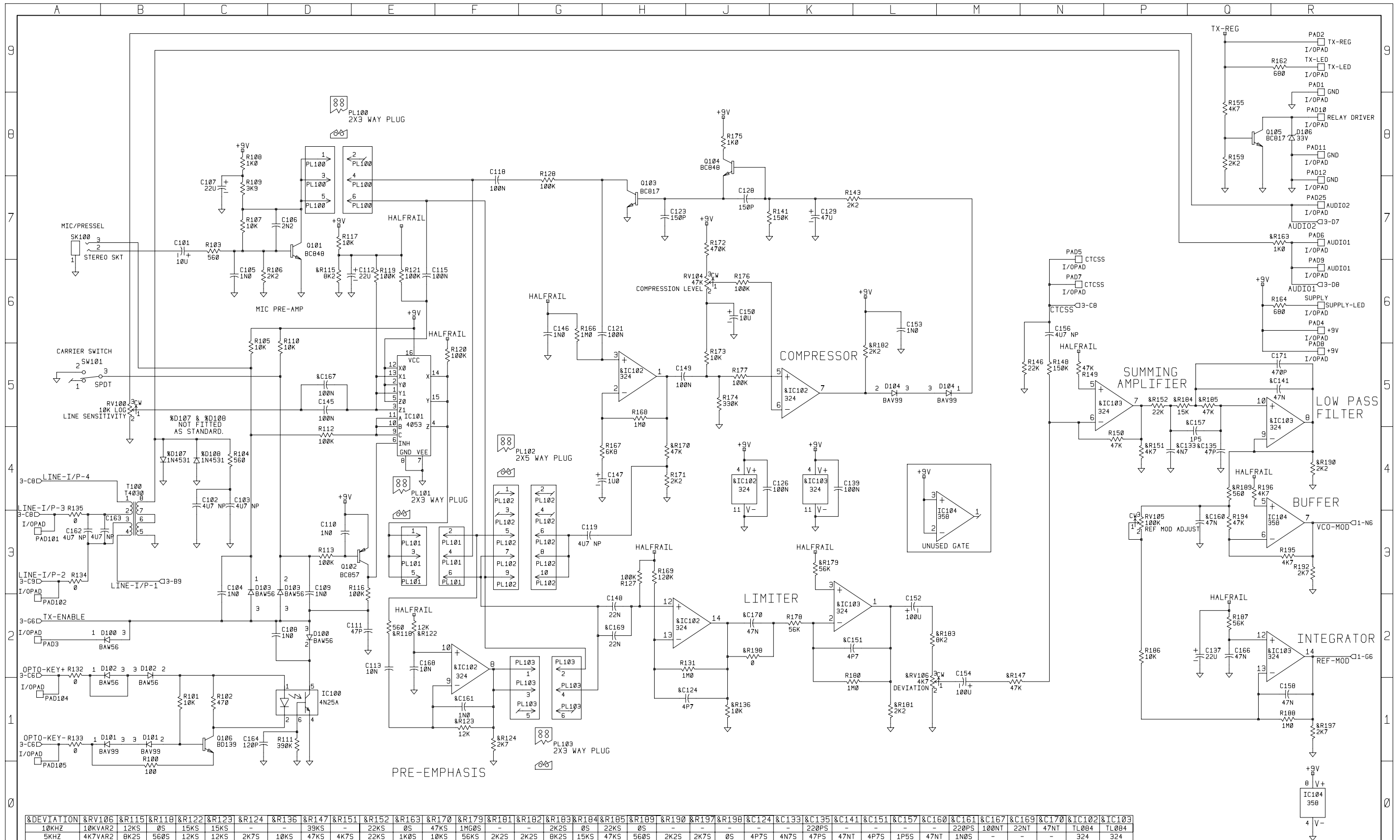
T856 PCB Layout  
Bottom Side  
220-01171-04



**T856 Test Points & Options**  
**Top Side**  
**220-01171-04**



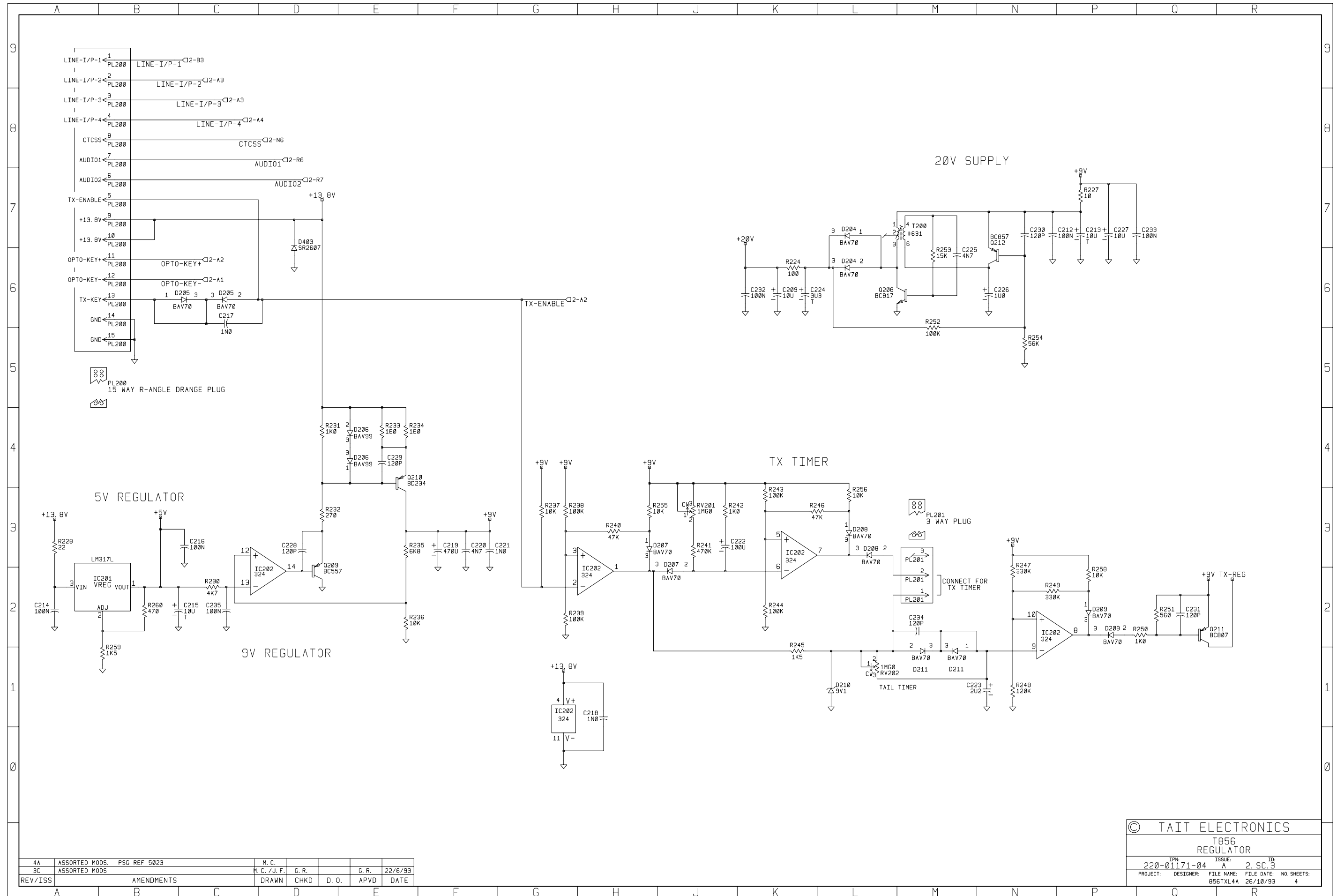




&DEVIATION	&RV106	&R115	&R118	&R122	&R123	&R124	&R136	&R147	&R151	&R152	&R163	&R170	&R179	&R181	&R182	&R183	&R184	&R185	&R189	&R190	&R197	&R198	&C124	&C133	&C135	&C141	&C151	&C157	&C160	&C161	&C167	&C169	&C170	&IC102	&IC103
10KHZ	10KVAR2	12KS	0S	15KS	15KS	-	39KS	-	22KS	0S	47KS	1MG0S	-	-	2K2S	0S	22KS	0S	-	-	-	-	-	220PS	-	-	-	-	220PS	100NT	22NT	47NT	TL0B4	TL0B4	
5KHZ	4K7VAR2	8K2S	560S	12KS	12KS	2K7S	10KS	47KS	4K7S	22KS	1K0S	10KS	56KS	2K2S	2K2S	8K2S	15KS	47KS	560S	2K2S	2K7S	0S	4P7S	4N7S	47PS	47NT	4P7S	1P5S	47NT	1N0S	0S	324	324	324	
2.5KHZ	4K7VAR2	8K2S	560S	12KS	12KS	2K7S	10KS	47KS	4K7S	27KS	1K0S	10KS	56KS	2K2S	2K2S	8K2S	18KS	56KS	560S	2K2S	2K7S	0S	4P7S	4N7S	47PS	47NT	4P7S	4P7S	47NT	1N0S	-	-	324	324	

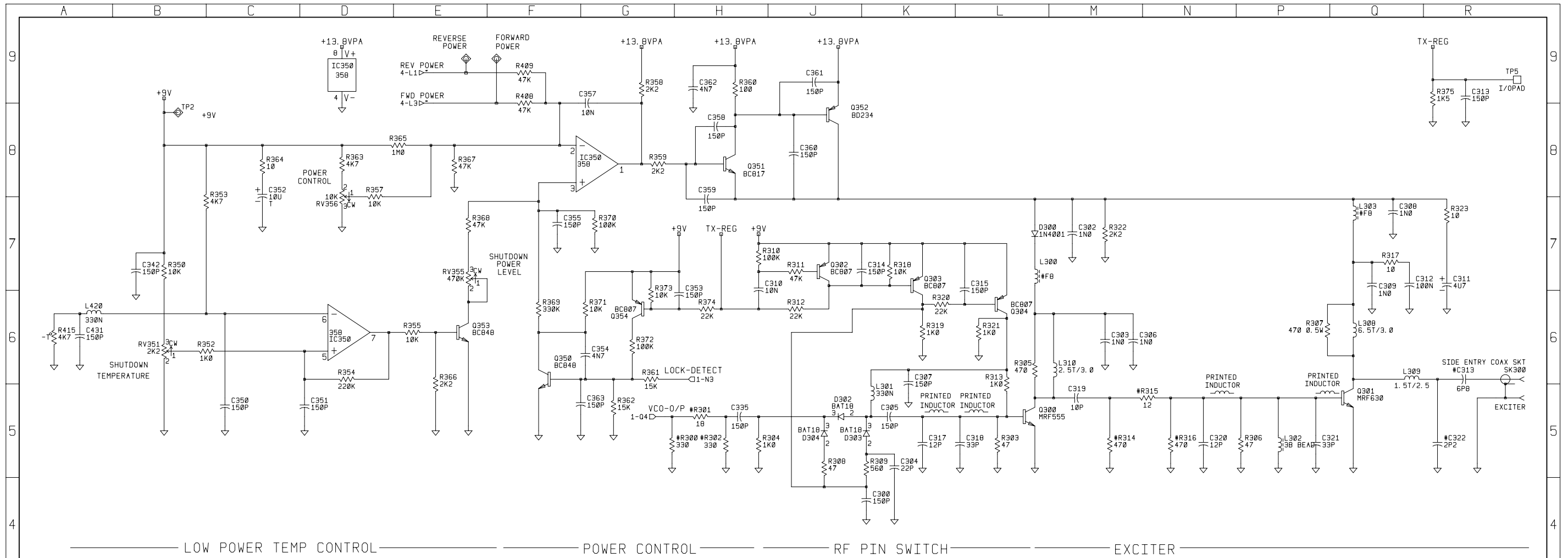
4A	ASSORTED MODS.	PSG REF 5023	M. C.			
3C	ASSORTED MODS		M. C. / J. F.	G. R.	G. R.	22/6/93
REV/ISS	AMENDMENTS		DRAWN	CHKD	D. O.	APVD

© TAIT ELECTRONICS  
 T856  
 AUDIO PROCESSOR  
 IPN: 220-01171-04  
 ISSUE: A  
 ID: 2. SC. 2  
 PROJECT: DESIGNER: FILE NAME: FILE DATE: NO. SHEETS:  
 B56TL4A 26/10/93 4

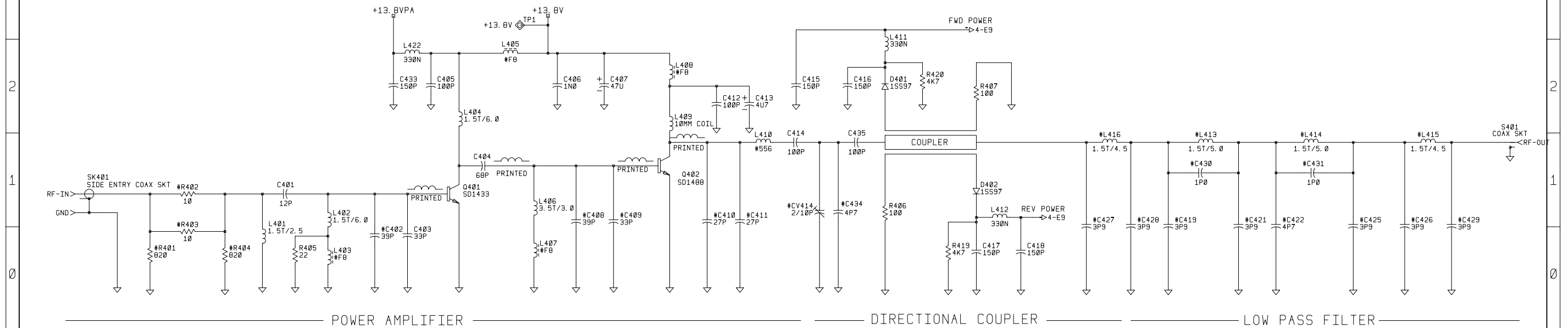


4A	ASSORTED MODS.	PSG REF 5023	M. C.				
3C	ASSORTED MODS		M. C. / J. F.	G. R.	G. R.	22/6/93	
REV/ISS	AMENDMENTS		DRAWN	CHKD	D. O.	APVD	DATE

© TAIT ELECTRONICS			
T856 REGULATOR			
IPN:	ISSUE:	ID:	
220-01171-04	A	2. SC. 3	
PROJECT:	DESIGNER:	FILE DATE:	NO. SHEETS:
	B56TXL4A	26/10/93	4



#FREQ	#C313	#C322	#C402	#C408	#C409	#C410	#C411	#C419	#C421	#C422	#C425	#C426	#C427	#C428	#C429	#C430	#C431	#C434	#CV414	#L413	#L414	#L415	#L416	#R300	#R301	#R302	#R314	#R315	#R316	#R401	#R402	#R403	#R404
400-440	12PS	3P9S	39PX	39PX	39PX	22PX	22PX	4P7UH	3P9UH	3P9UH	3P9UH	4P7UH	3P9UH	3P9UH	3P9UH	1P0S	1P0S	-	16PVARJ	15H50	15H55	15H50	15H50	1505	33S	1505	270X	18X	270X	470X	22X	22X	470X
440-480	6P8S	2P2S	39PX	39PX	33PX	27PX	27PX	3P9UH	3P9UH	4P7UH	3P9UH	3P9UH	3P9UH	3P9UH	3P9UH	-	-	4P7U	10PVARJ	15H50	15H50	15H45	15H45	3305	18S	3305	470X	12X	470X	820X	10X	10X	820X
480-520	5P6S	2P2S	33PX	33PX	33PX	22PX	22PX	3P9UH	3P9UH	4P7UH	3P9UH	3P9UH	3P9UH	3P9UH	3P9UH	-	-	-	10PVARJ	15H50	15H50	15H45	15H45	3305	18S	3305	470X	12X	470X	820X	10X	10X	820X



4A	ASSORTED MODS.	PSG REF 5023	M. C.				
3C	ASSORTED MODS		M. C. / J. F.	GLEN		GLEN	22/6/93
REV/ISS	AMENDMENTS		DRAWN	CHKD	D. O.	APVD	DATE

© TAIT ELECTRONICS  
 T856  
 EXCITER / P. A.  
 IPN: 220-01171-04  
 ISSUE: A  
 ID: 2. SC. 4  
 PROJECT: DESIGNER: FILE NAME: FILE DATE: NO. SHEETS:  
 B56TXL4A 26/10/93 4